

**General Notes**  
FOR EDUCATIONAL  
PURPOSES ONLY

**CONTENTS**

- A1 - ISOMETRIC
- A2 - PLANS
- A3 - PLANS
- A4 - ELEVATIONS
- A5 - ELEVATIONS
- A6 - SECTIONS
- A7 - DETAILS
- A8 - DETAILS
- A9 - DETAILS

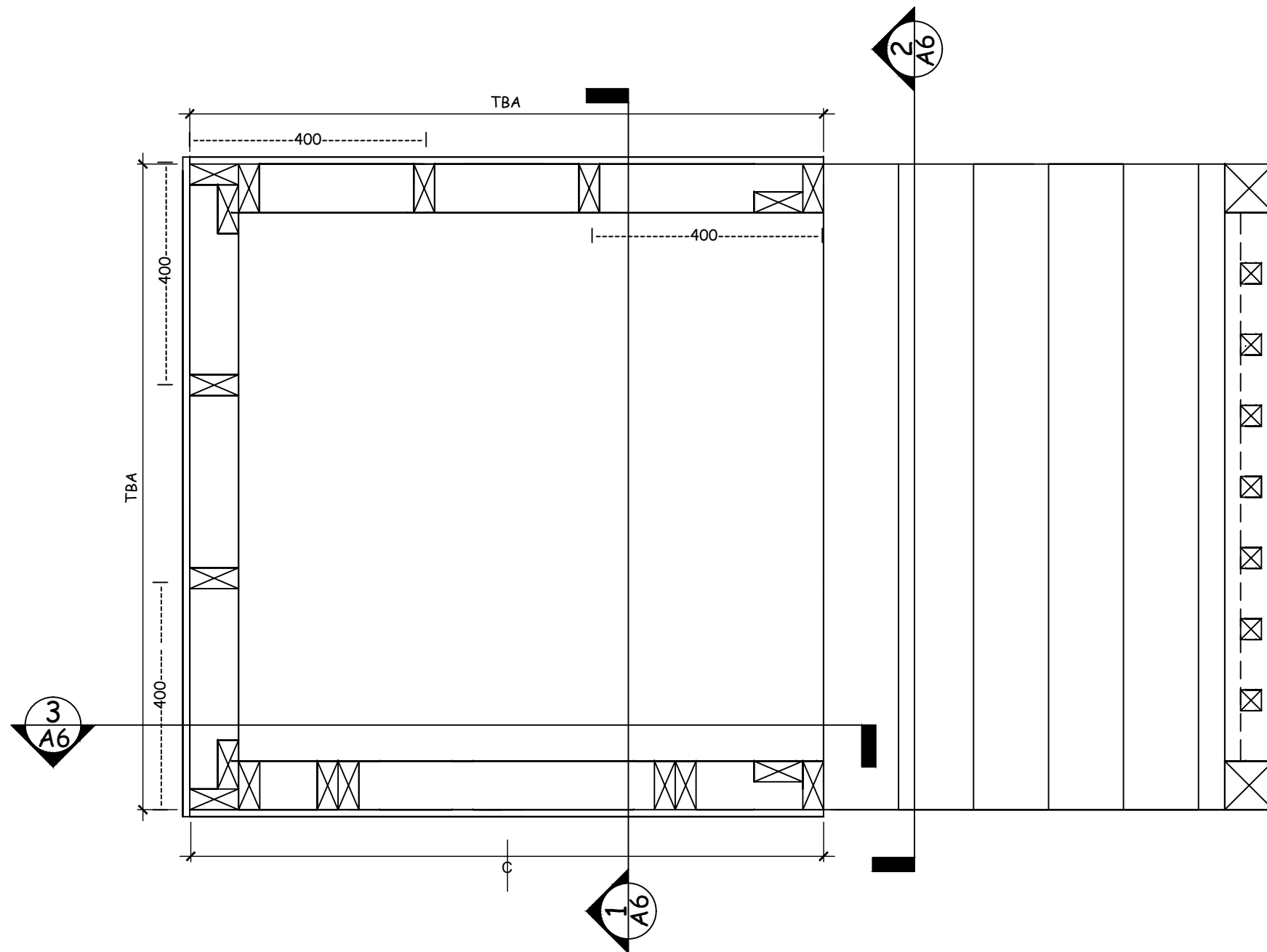
No.	Revision/Issue	DATE
	Revised: T. Haag	Apr.12/21
1	UPDATE	MAR.30
2	UPDATE	JAN.26

**SKILLS  
CANADA**

PROVINCIAL  
POST-SECONDARY  
CARPENTRY

**ISOMETRIC**

<b>DRAWN BY:</b> JACOB OBRIGEWITCH JACOB MAJAK Revised: T. Haag Apr.12/21	<b>SHEET #</b> <b>A1</b>
<b>DATE:</b> 3/30/2019	
<b>SCALE:</b> NOT TO SCALE	



1 FLOOR PLAN

**General Notes**  
FOR EDUCATIONAL  
PURPOSES ONLY

1) ALL SHEATHING  
TO BE VERIFIED ON  
SITE.

2) ALL DIMENSIONS  
TO FRAMING

3) CENTER WINDOW  
FROM OUTSIDE  
WALL

No.	Revision/Issue	DATE
1	UPDATE	MAR.30
2	UPDATE	JAN.26
Revised: T. Haag		Apr.12/21

**SKILLS  
CANADA**

PROVINCIAL  
POST-SECONDARY  
CARPENTRY

**PLANS**

DRAWN BY: JACOB OBRIGEWITCH JACOB MAJAK Revised: T. Haag Apr.12/21	SHEET # <b>A2</b>
DATE: 3/30/2019	
SCALE: NOT TO SCALE	

**General Notes**  
FOR EDUCATIONAL  
PURPOSES ONLY

- 1) 38 X 140 RIDGE
- 2) 38 x 89 COMMON RAFTERS
- 3) 38 X 140 HIP RAFTER
- 4) Deck Joists equally spaced

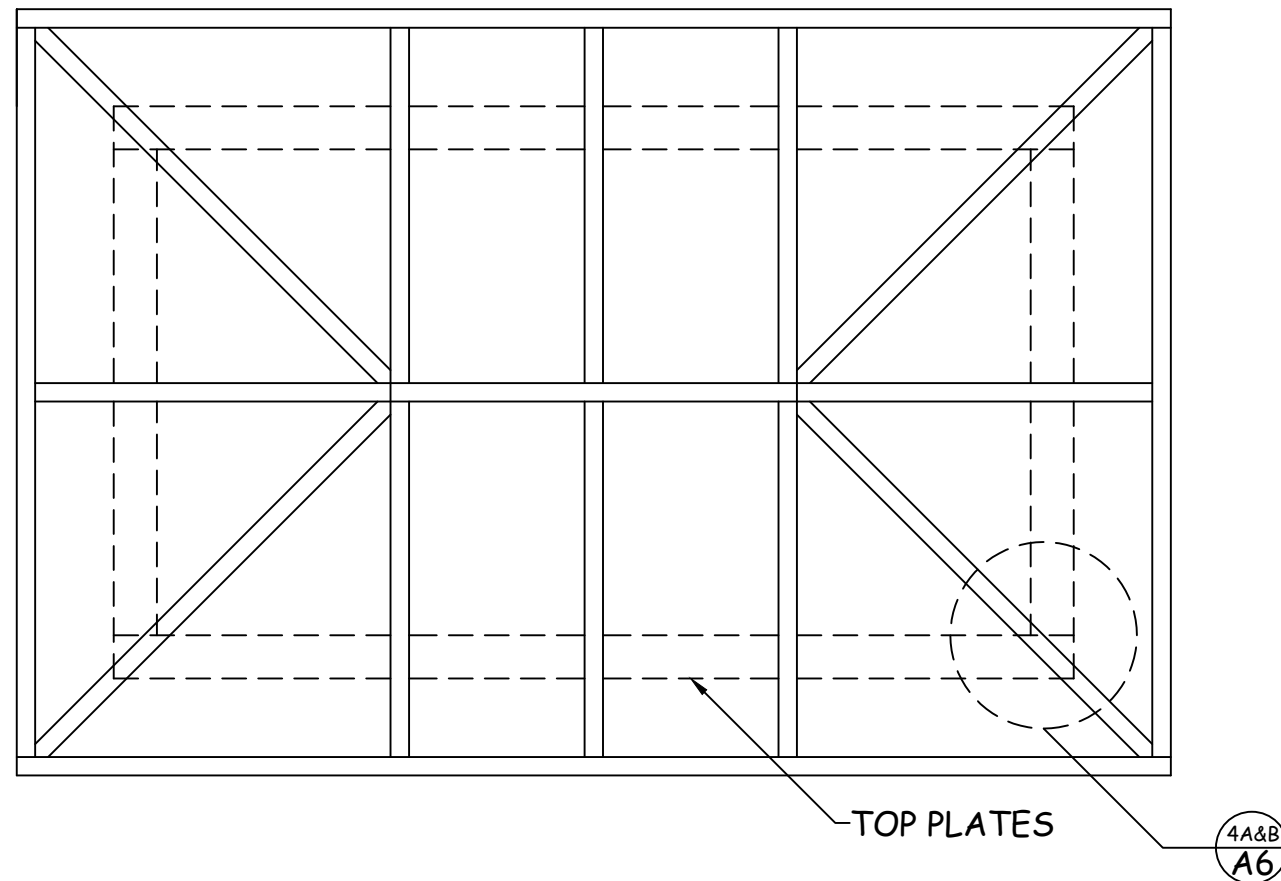
No.	Revision/Issue	DATE
1	UPDATE	MAR.30
2	UPDATE	JAN.26
Revised: T. Haag		Apr.12/21

**SKILLS  
CANADA**

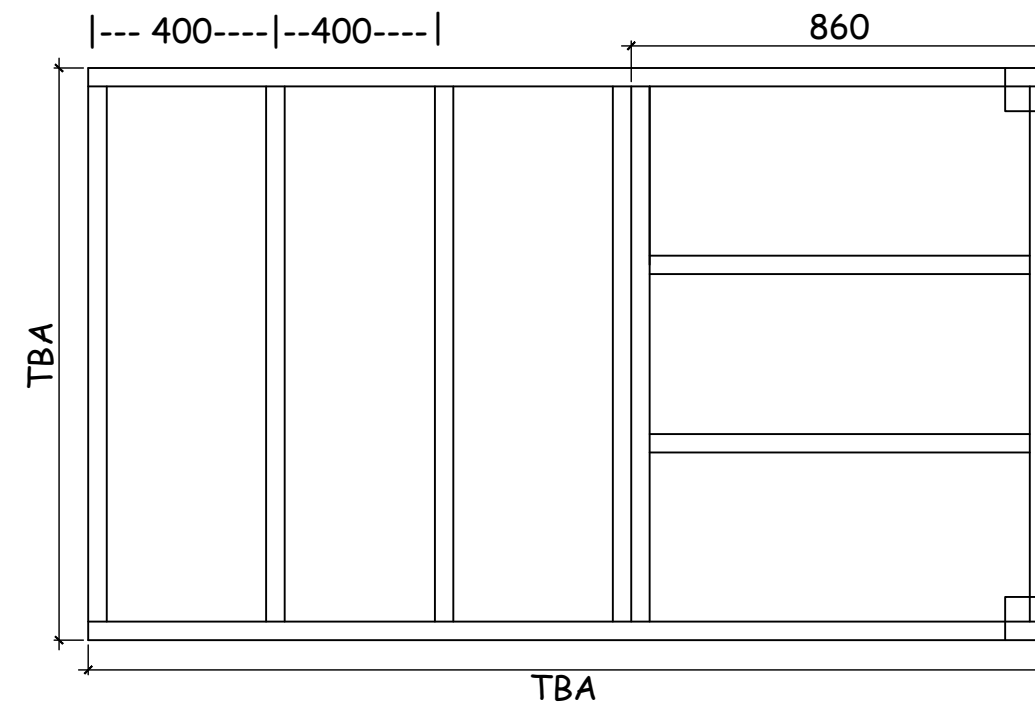
PROVINCIAL  
POST-SECONDARY  
CARPENTRY

**PLANS**

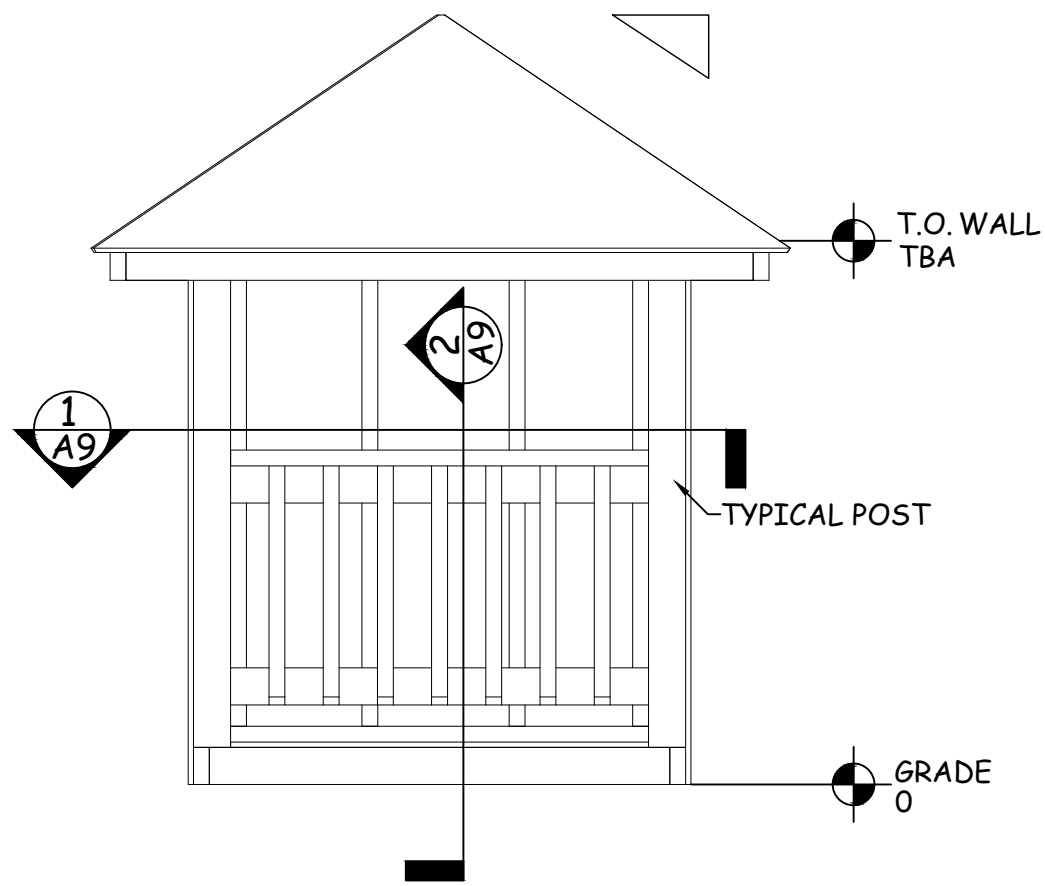
DRAWN BY: JACOB OBRIGEWITCH JACOB MAJAK Revised: T. Haag Apr.12/21	SHEET # <b>A3</b>
DATE: 3/30/2019	
SCALE: NOT TO SCALE	



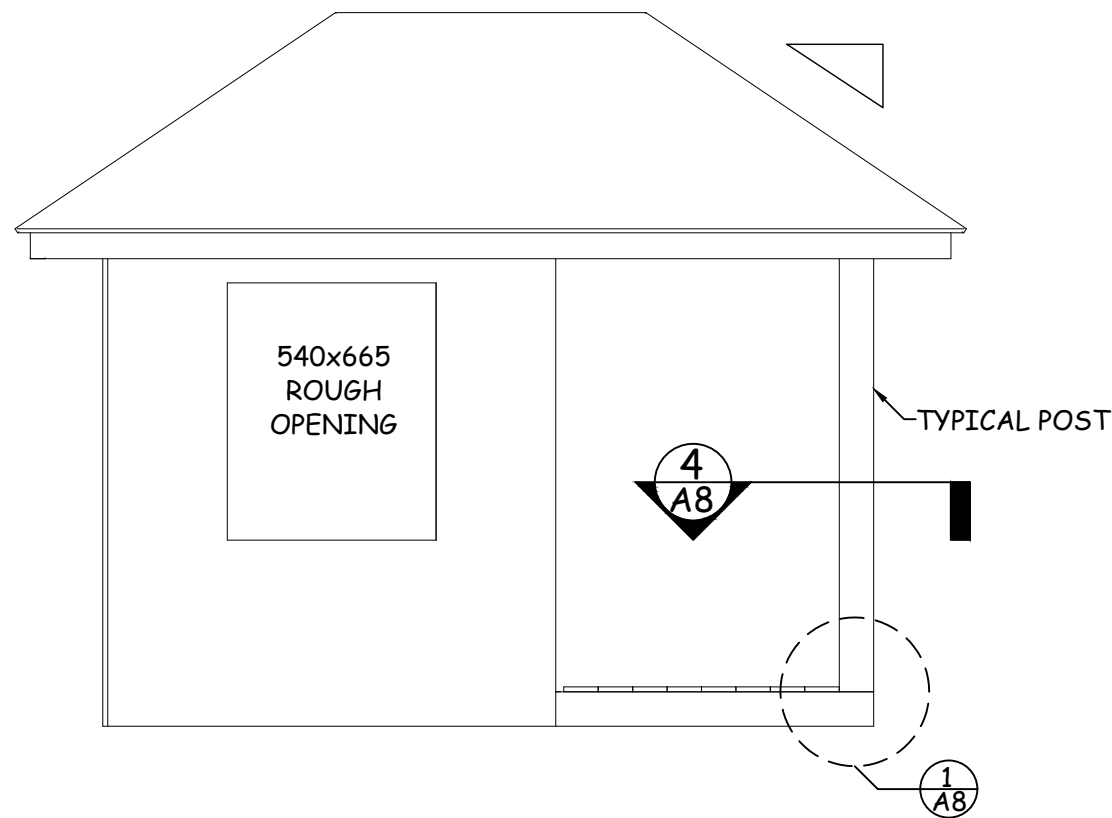
**1** ROOF FRAMING PLAN



**2** FLOOR JOIST/DECK PLAN



1 FRONT-ELEVATION



2 LEFT SIDE-ELEVATION

**General Notes**  
FOR EDUCATIONAL  
PURPOSES ONLY

NO SHEATHING TO BE APPLIED TO ROOF.

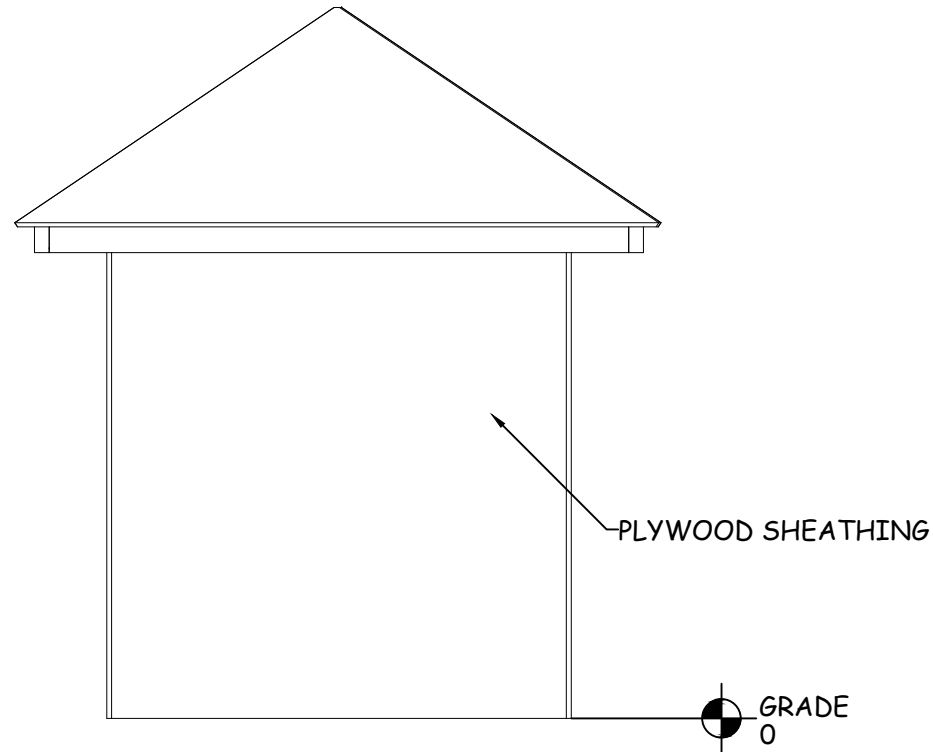
No.	Revision/Issue	DATE
Revised: T. Haag    Apr.12/21		
1	UPDATE	MAR.30
2	UPDATE	JAN.26

**SKILLS  
CANADA**

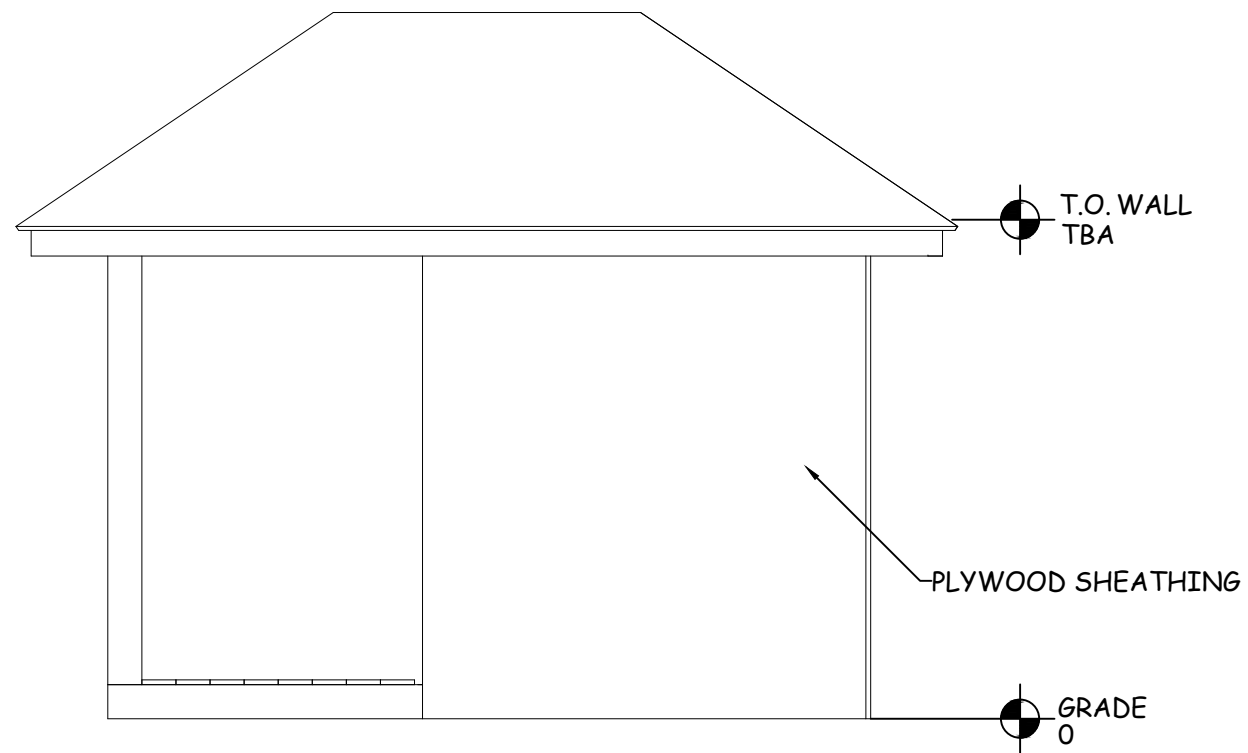
PROVINCIAL  
POST-SECONDARY  
CARPENTRY

**ELEVATIONS**

DRAWN BY: JACOB OBRIGEWITCH JACOB MAJAK Revised: T. Haag Apr.12/21	SHEET # <b>A4</b>
DATE: 3/30/2019	
SCALE: NOT TO SCALE	



1 REAR-ELEVATION



2 RIGHT SIDE-ELEVATION

**General Notes**  
FOR EDUCATIONAL  
PURPOSES ONLY

NO SHEATHING TO  
BE APPLIED TO  
ROOF.

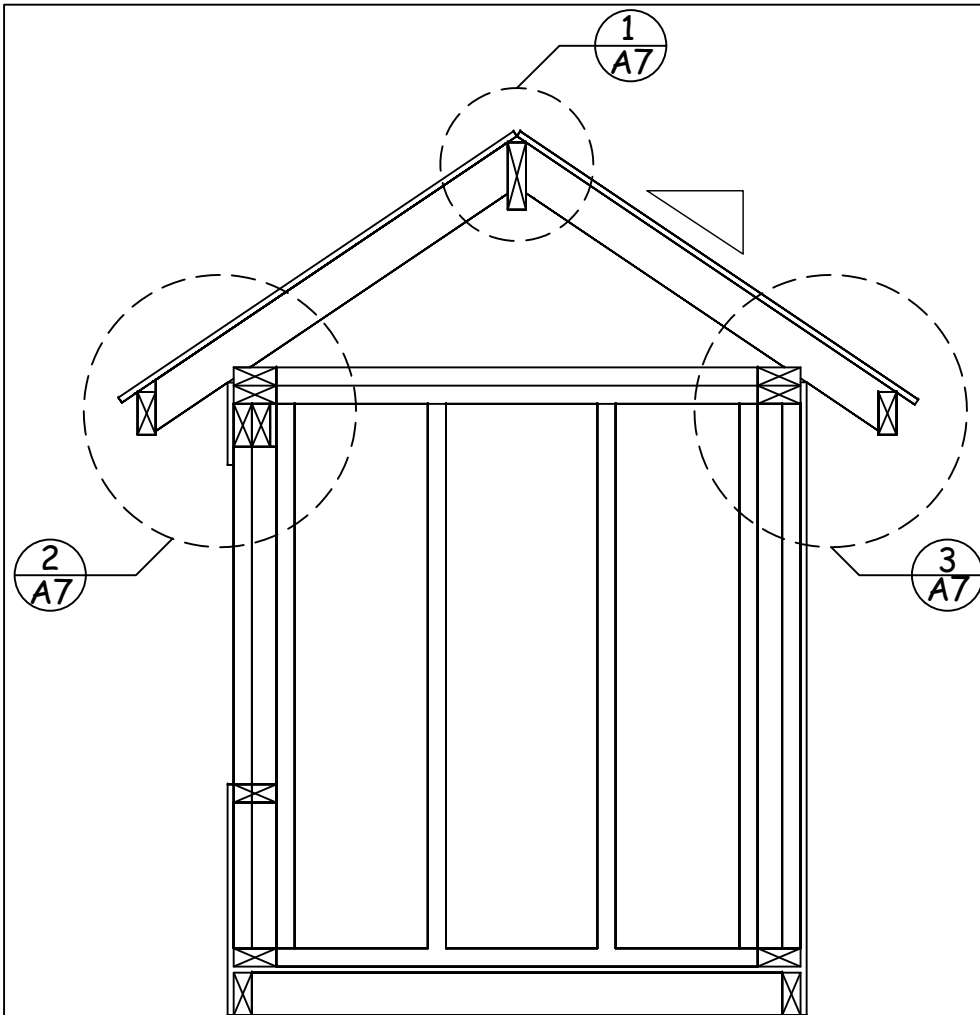
No.	Revision/Issue	DATE
	Revised: T. Haag	Apr.12/21
1	UPDATE	MAR.30
2	UPDATE	JAN.26

**SKILLS  
CANADA**

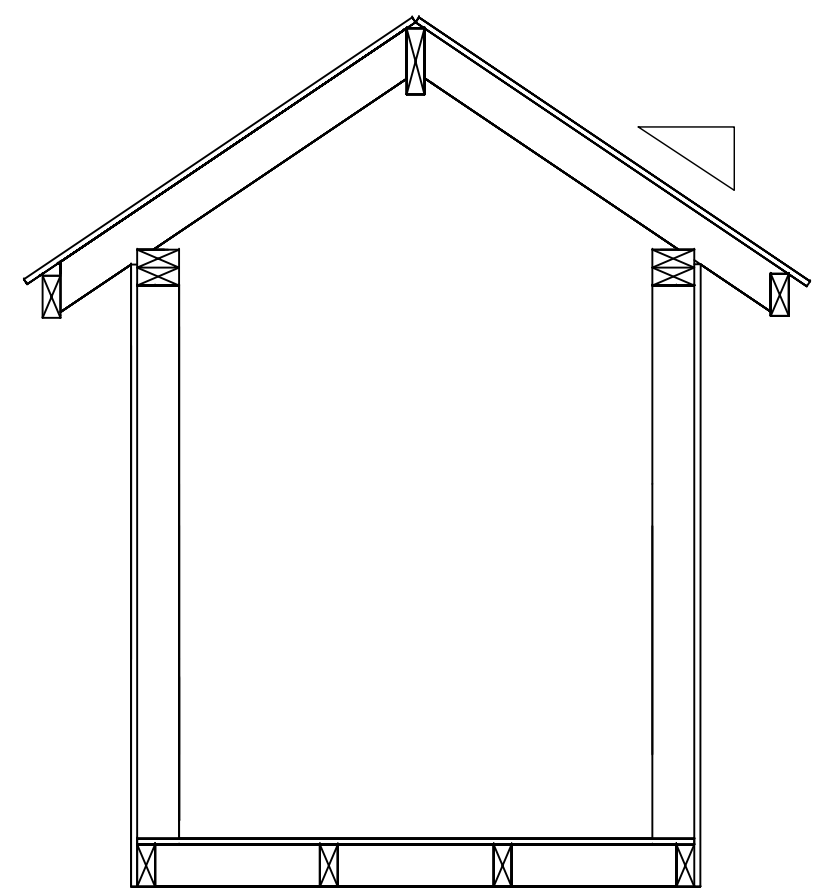
PROVINCIAL  
POST-SECONDARY  
CARPENTRY

**ELEVATIONS**

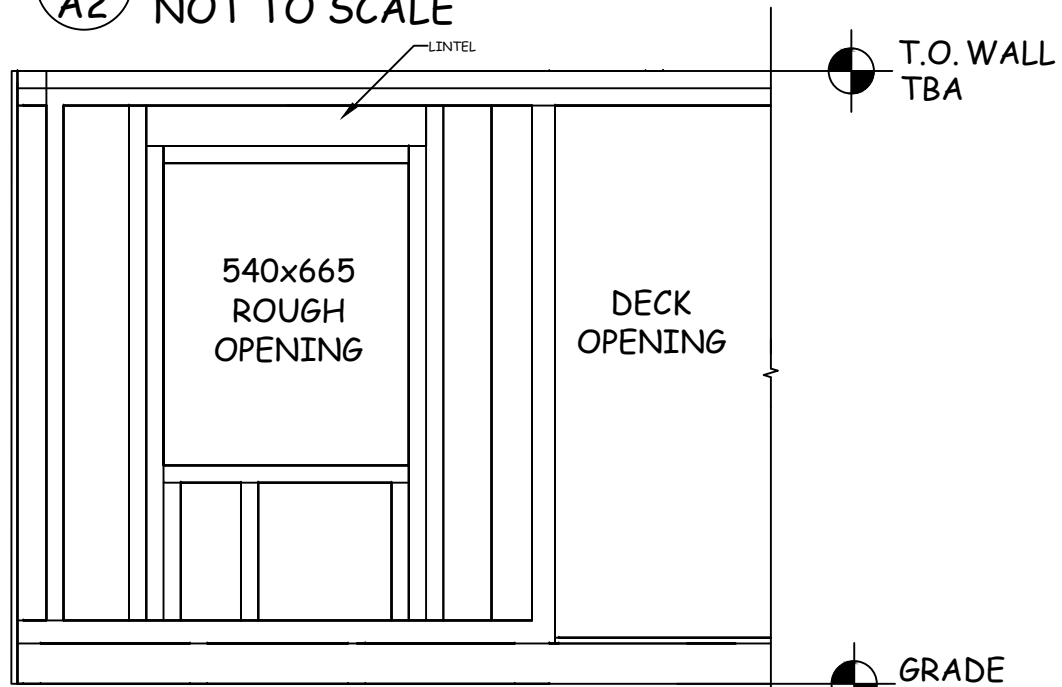
DRAWN BY: JACOB OBRIGEWITCH JACOB MAJAK Revised: T. Haag Apr.12/21	SHEET # <b>A5</b>
DATE: 3/30/2019	
SCALE: NOT TO SCALE	



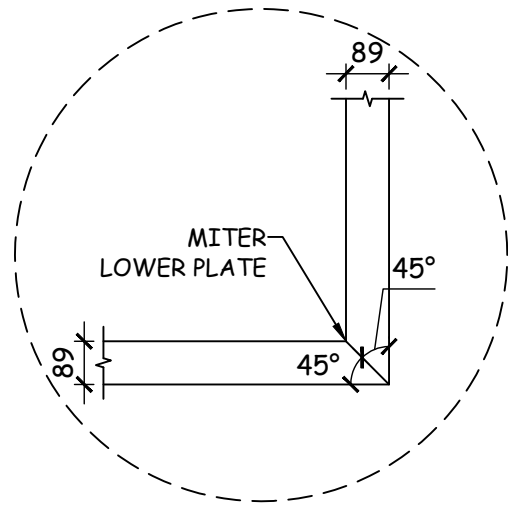
**1 SECTION 1**  
A2 NOT TO SCALE



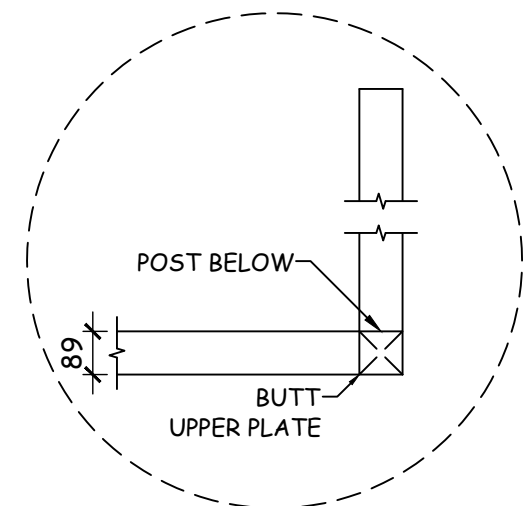
**2 SECTION 2**  
A2 (EXCLUDING BACK WALL)  
NOT TO SCALE



**3 SECTION 3**  
A2 NOT TO SCALE



**4A PLAN OF LOWER TOP PLATE**  
A3 CONNECTION AT POSTS  
NOT TO SCALE



**4A PLAN OF UPPER TOP PLATE**  
A3 CONNECTION AT POSTS  
NOT TO SCALE

**General Notes**  
FOR EDUCATIONAL  
PURPOSES ONLY

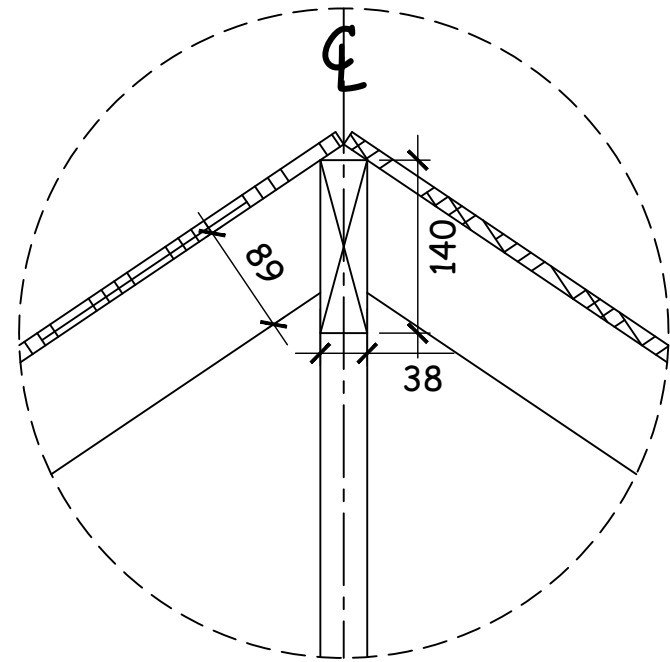
No.	Revision/Issue	DATE
1	UPDATE	MAR.30
2	UPDATE	JAN.26
Revised: T. Haag		Apr.12/21

**SKILLS  
CANADA**

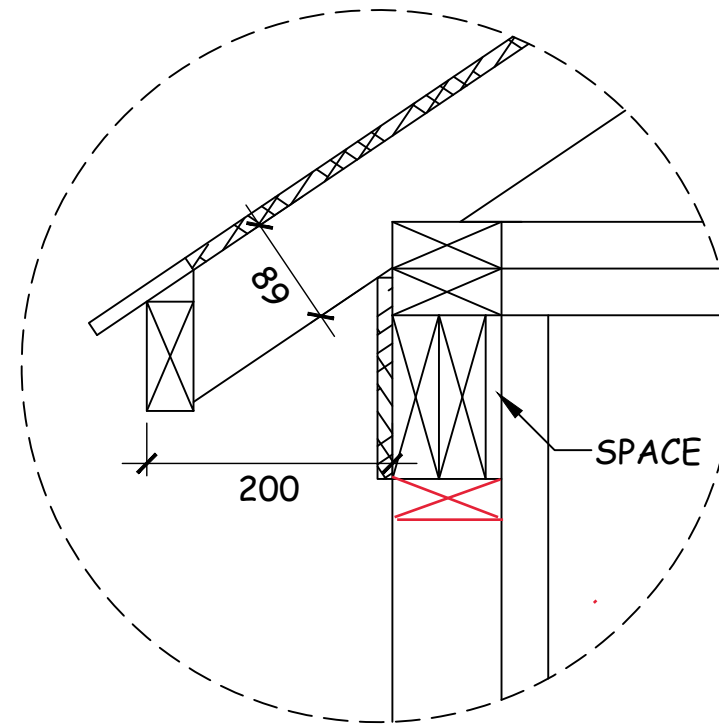
PROVINCIAL  
POST-SECONDARY  
CARPENTRY

**SECTIONS**

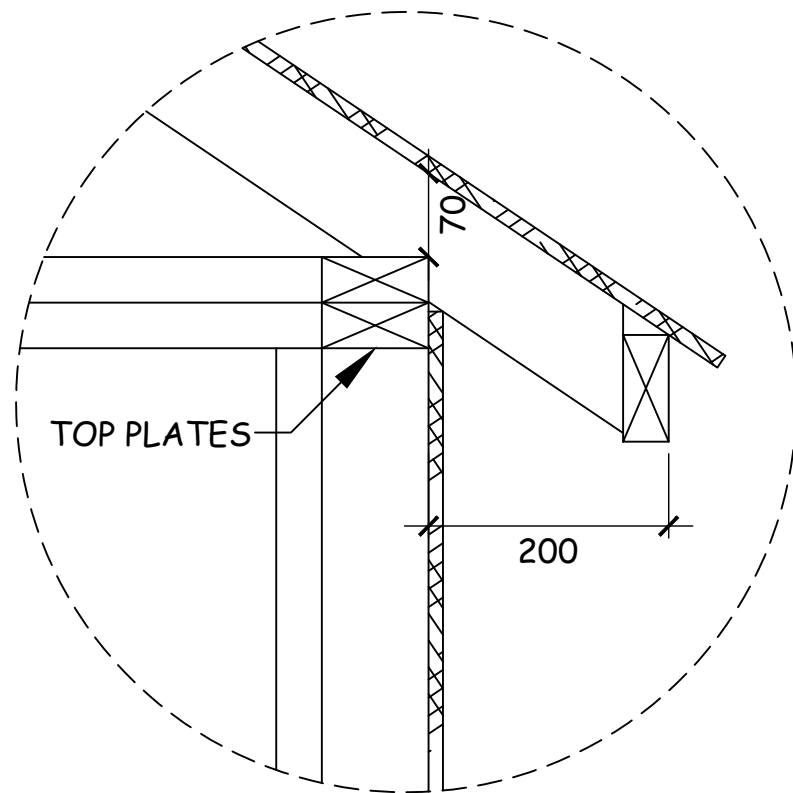
DRAWN BY: JACOB OBRIGEWITCH JACOB MAJAK Revised: T. Haag Apr.12/21	SHEET # <b>A6</b>
DATE: 3/30/2019	
SCALE: NOT TO SCALE	



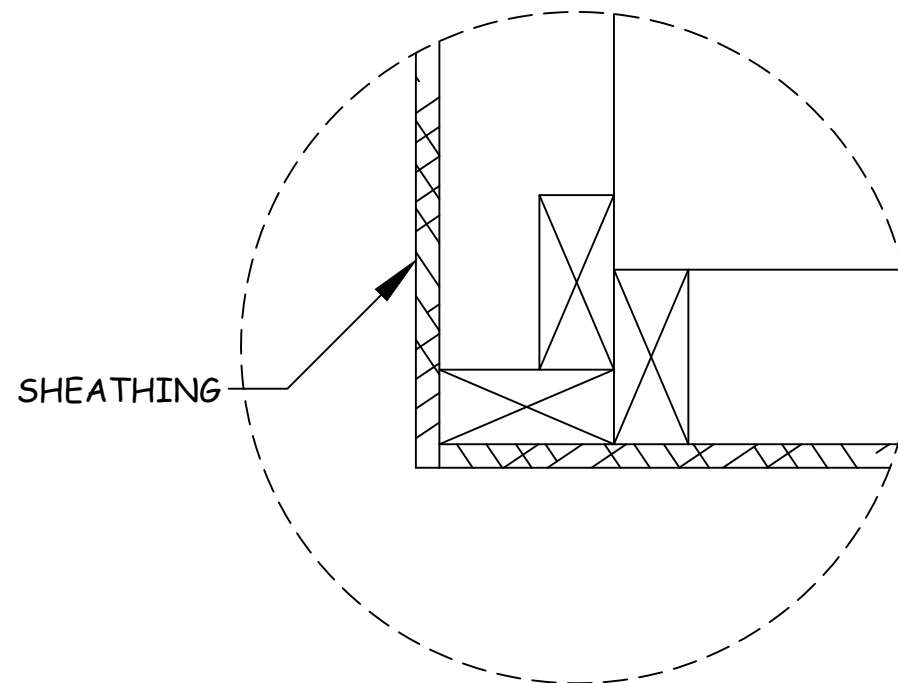
1 FLOOR JOIST PLAN  
A6 TYP. AT EACH END



2 EAVE DETAIL @ LINTEL  
A6



3 FLOOR JOIST PLAN  
A6



4 TYP. WALL CORNER  
A2

**General Notes**  
FOR EDUCATIONAL  
PURPOSES ONLY

2-ply 38 x 140 Lintel

No.	Revision/Issue	DATE
1	UPDATE	MAR.30
2	UPDATE	JAN.26
	Revised: T. Haag	Apr.12/21

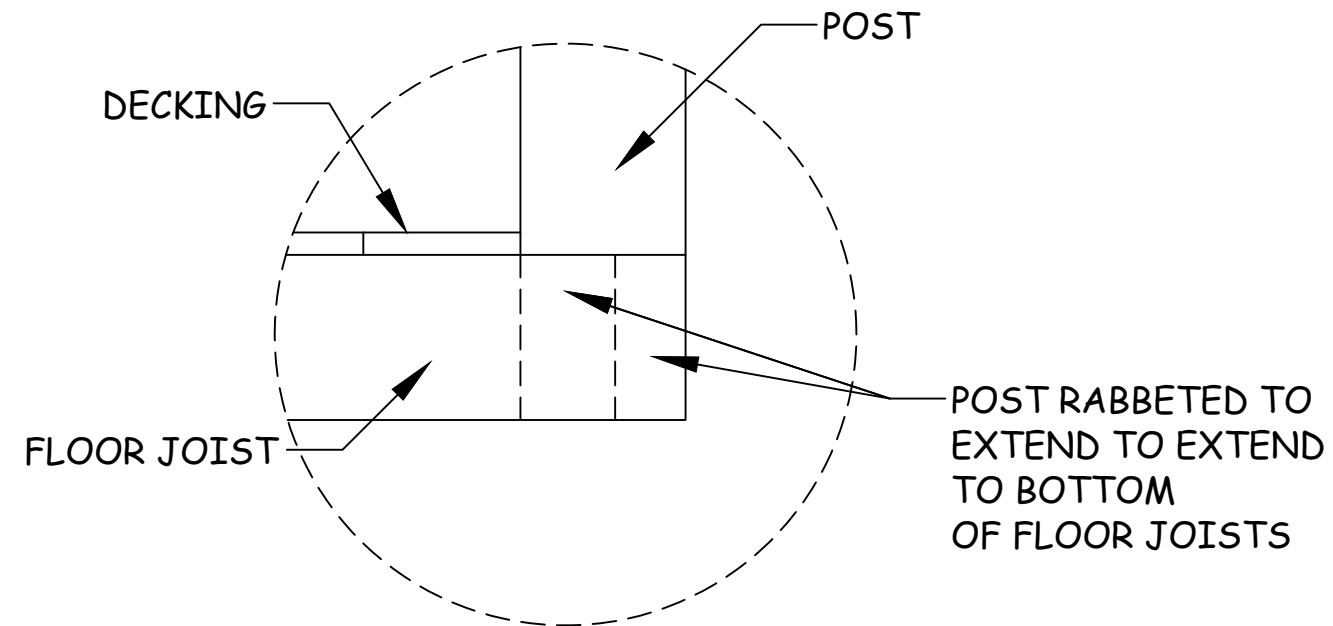
**SKILLS  
CANADA**

PROVINCIAL  
POST-SECONDARY  
CARPENTRY

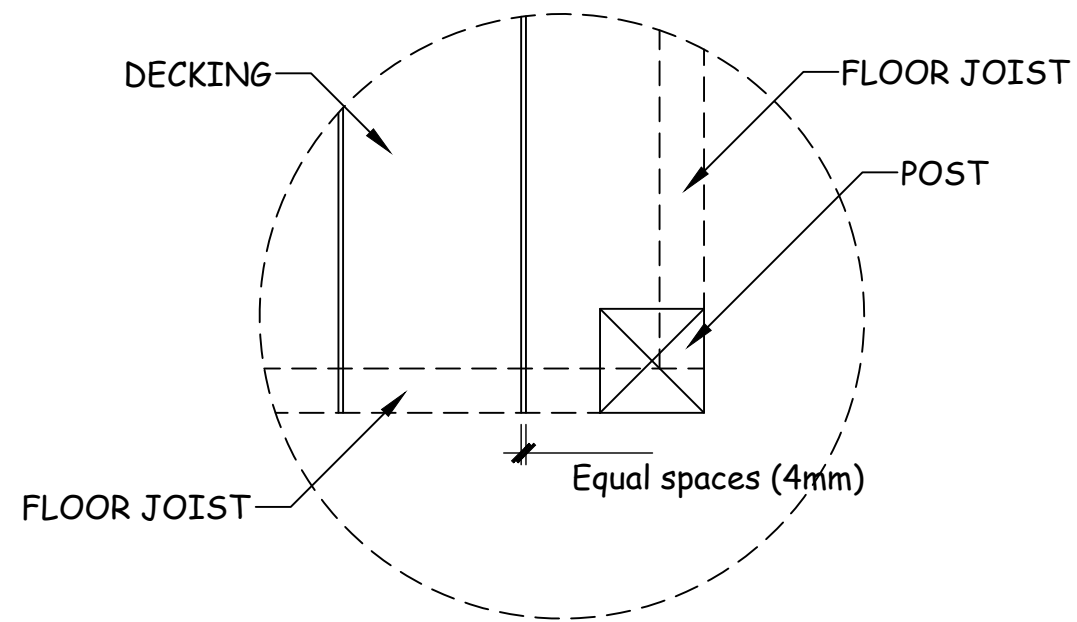
**DETAILS**

DRAWN BY: JACOB OBRIGEWITCH JACOB MAJAK Revised: T. Haag Apr.12/21	SHEET # <b>A7</b>
DATE: April 12/21 3/30/2019	
SCALE: NOT TO SCALE	

**General Notes**  
FOR EDUCATIONAL  
PURPOSES ONLY



① FLOOR JOISTS AT FRONT POSTS  
A4



② DECKING AT FLOOR JOISTS  
A3

No.	Revision/Issue	DATE
1	UPDATE	MAR.30
2	UPDATE	JAN.26
Revised: T. Haag		Apr.12/21

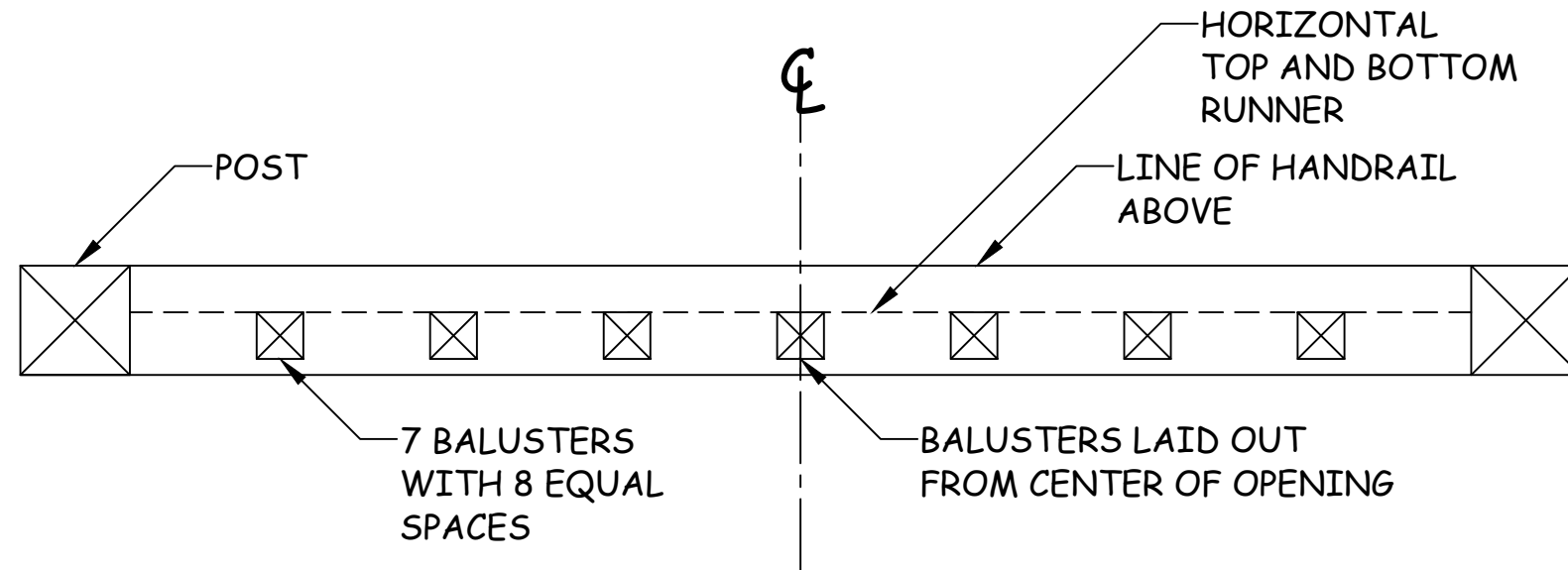
**SKILLS  
CANADA**

PROVINCIAL  
POST-SECONDARY  
CARPENTRY

**DETAILS**

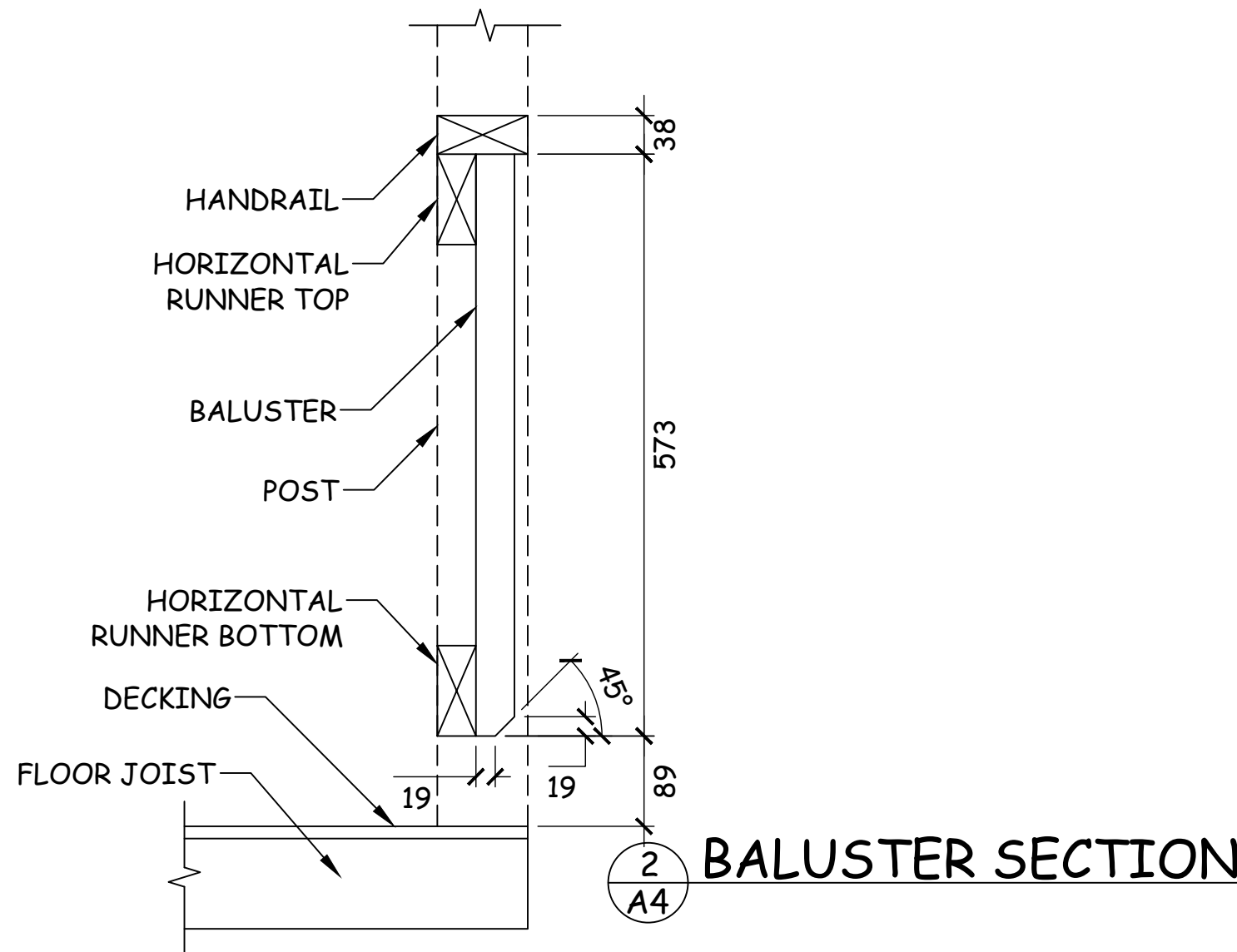
DRAWN BY: JACOB OBRIGEWITCH JACOB MAJAK Revised: T. Haag Apr.12/21	SHEET # <b>A8</b>
DATE: 3/30/2019	
SCALE: NOT TO SCALE	





1  
A4

### FRONT RAILING PLAN



**General Notes**  
FOR EDUCATIONAL  
PURPOSES ONLY

No.	Revision/Issue	DATE
1	UPDATE	MAR.30
2	UPDATE	JAN.26

Revised: T. Haag Apr.12/21

## SKILLS CANADA

PROVINCIAL  
POST-SECONDARY  
CARPENTRY

## DETAILS

DRAWN BY: JACOB OBRIGEWITCH JACOB MAJAK Revised: T. Haag Apr.12/21	SHEET # <b>A9</b>
DATE: 3/30/2019	
SCALE: NOT TO SCALE	