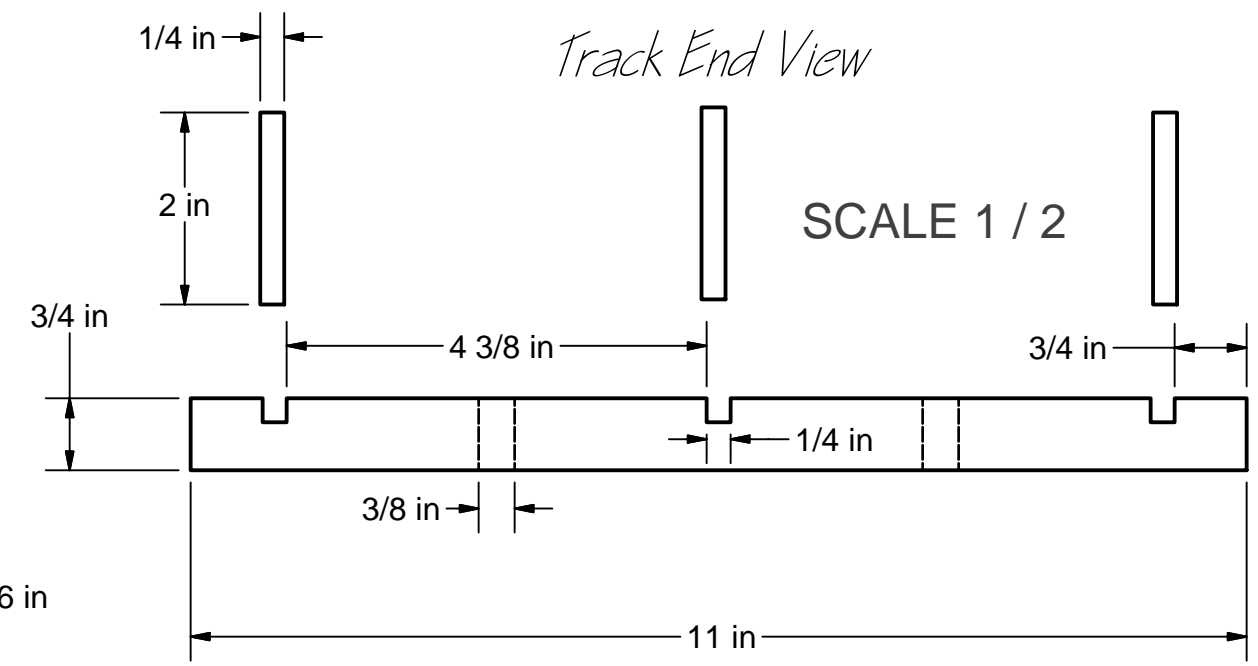
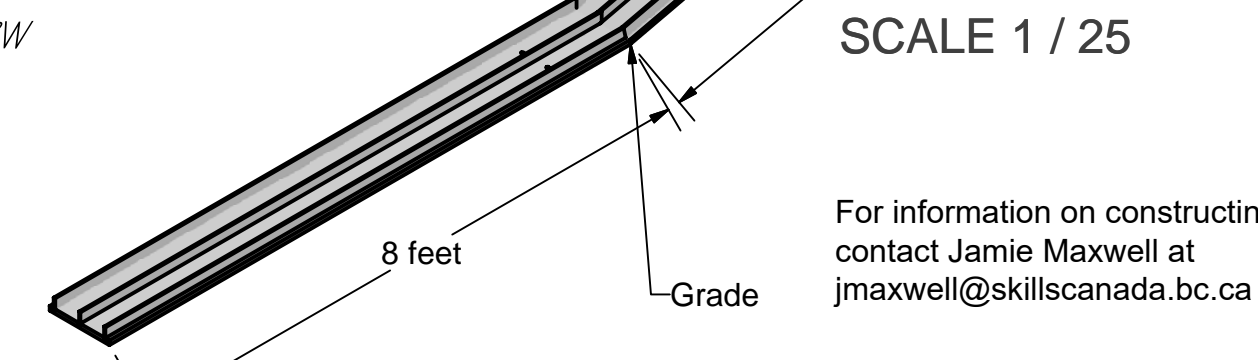
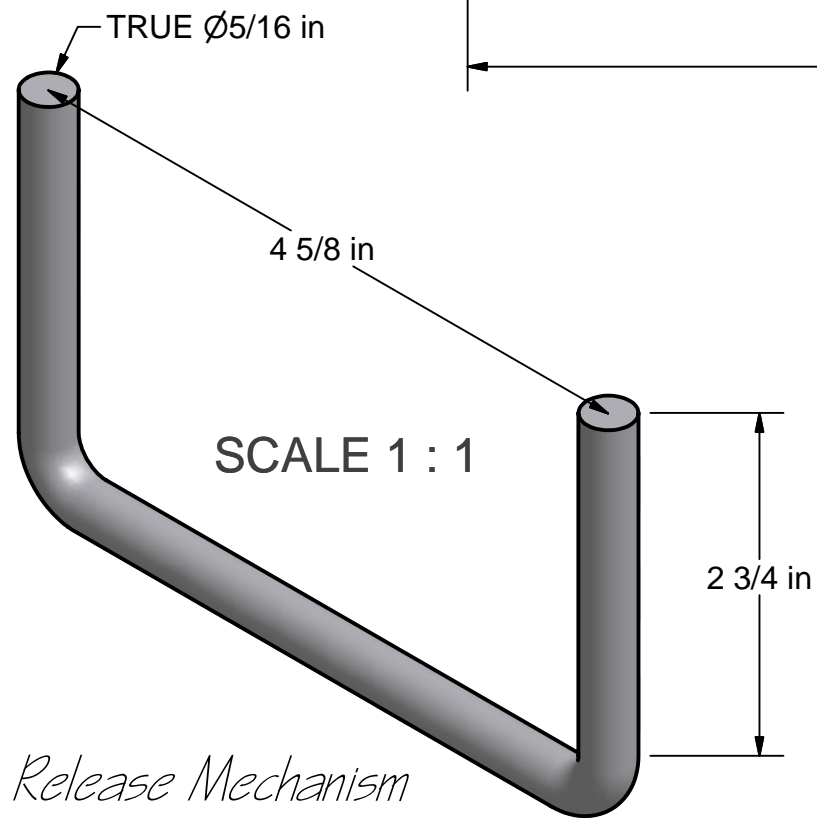
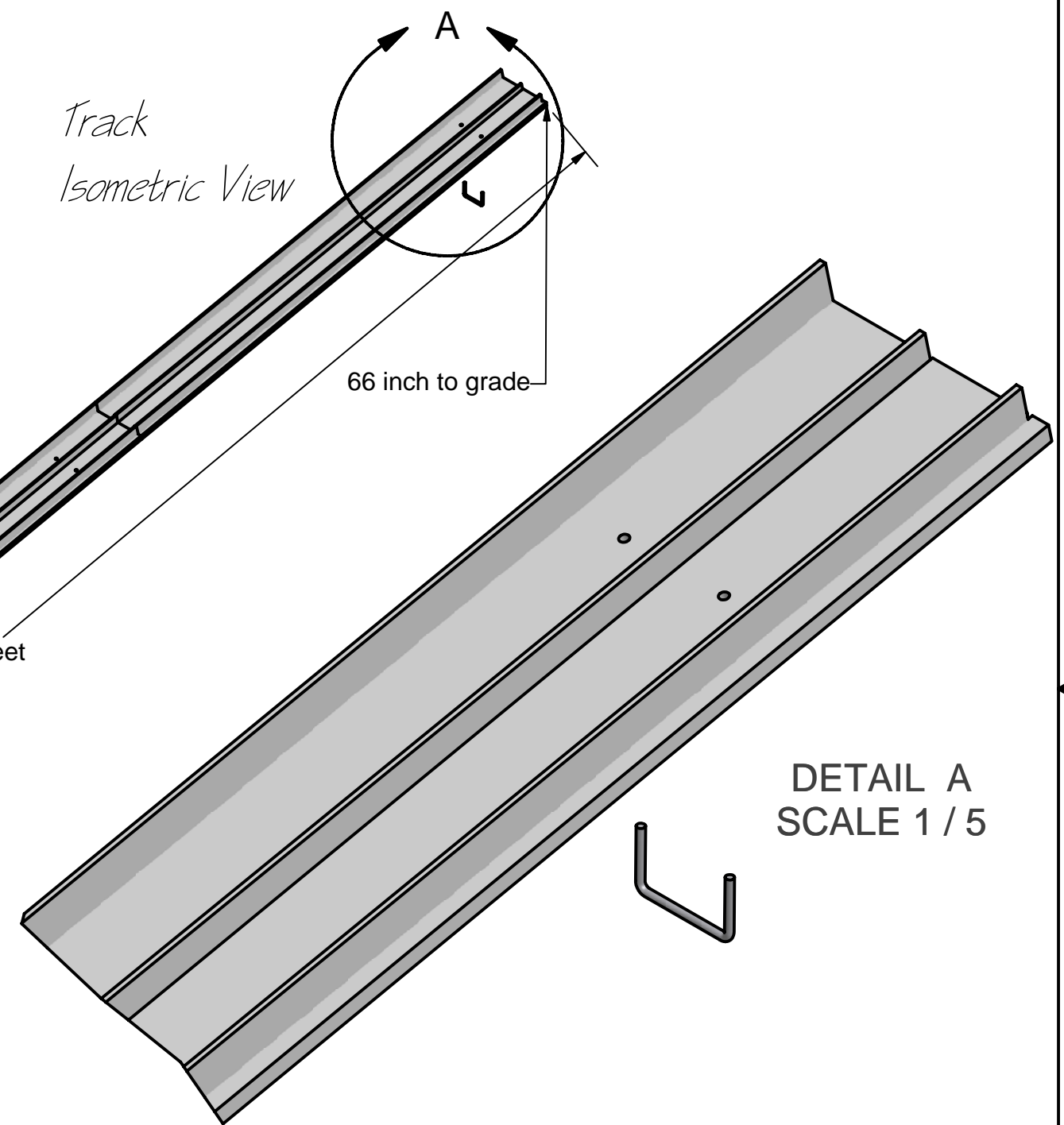


4 3 2 1



Track Isometric View



For information on constructing aluminum tracks contact Jamie Maxwell at jmaxwell@skillscanada.bc.ca

DRAWN user	1/24/2006		
CHECKED			
QA		TITLE	
MFG		<i>Gravity Vehicle Track Assembly</i>	
APPROVED		SIZE	DWG NO
		B	TrackAssembly1
		SCALE	REV
<i>A. Thorvaldson</i>			2
		SHEET 1	OF 1

B

B

A

A

A

A

4 3 2 1