

Regional Scope Document

JUNIOR WOODWORKING (Grades 6-8) 2017

Contest Length: 3hrs.
Contest Start: 9:00am

Registration: 8:15

Purpose of the Challenge:

To assess the contestant's knowledge and skill in woodworking by safely building a simple project from a provided drawing.

Skills that maybe tested:

- General safety and safe equipment practice
- Skill and ability in reading and interpreting project plans and specifications.
- Construction of woodworking project
- The set-up and safe operation of basic woodworking hand tools and portable power tools
- The project may consist of skills like layout, measurement, cutting, mitre cuts, drilling, etc. may also be included.
- The demonstration of sanding, and assembly techniques including nailing, gluing and screwing in the building of a simple project to acceptable industry standards.
- Quality, accuracy and attention to detail
- Housekeeping
- Ability to work to a deadline
- Technical drawings may be in metric, imperial or both.

The scope is subject to change due to equipment availability and / or the discretion of the technical committee.

Specific Requirements:

Plan to arrive at least one half hour ahead of the contest start time for registration and to set up your tools on the assigned bench. You may be sharing a bench with someone else.

At the start of the contest competitors will be given a blueprint of a simple project to be built. Further rules and clarification will also be given at this time.

- Once work on the project begins you are to work by yourself and not discuss the project with anyone but the judges. The project changes each year.
- If a mistake is made and you wish to have a new piece of wood, please get it from a judge who will record this error and marks will be deducted from your score.
- Since time is limited, some of the wood pieces may already be planed to thickness, pre-drilled or cut to length.
- Please carefully read all of the documentation that you receive on the day of the contest.
- All work to be done on site.

Safety Instructions:

Competitor safety is paramount. Competitors must know how to safely use the supplied equipment. Competitors deemed unfamiliar with the tools and processes by the Regional Tech Host will not be allowed to compete.

Competitors must know and comply with Worksafe BC safety standards at all times. Contestants will not be allowed to compete without the required safety equipment. Contestants must wear shop appropriate clothing including long pants as well as safety equipment: closed foot wear preferably leather (no open toed foot wear or sandals), protective eye wear and ear protection.

Equipment / Tools / Materials

Equipment/Tools Supplied by Committee if needed for project:

- Work Bench with Vise
- All project materials & fasteners
- Glue

Supplied by Contestant:

A regional specific tool list will be supplied to all registrants two weeks prior to Regional if the list differs from what is below. Please note that not all of the below noted equipment will necessarily be required by each competitor.

- Suitable footwear (no open toes or sandals)
- Eye protection
- Ear Protection
- Suitable work clothes (No muscle shirts or shorts - long pants only)
- Tape measure (metric and imperial)
- Small handsaw
- Coping saw
- Hammer
- Tape measure (metric and imperial)
- 3/8" drill bit
- 3/4" spade drill bit
- 1" spade drill bit
- 1 1/4" spade drill bit for doweling
- Mitre Box to cut angle on doweling and tugboat handrail.
- Sanding block or Sanding Sponge
- Cordless Drill
- Speed Square or Slide Square
- Pencil

The above is a minimum tool list. Other hand tools may be used. No other power tools allowed.

Materials Required per Project

- 2' of 1 1/4" doweling: smoke stacks and tow bollards
- 12" of 3/8" or 1/4" doweling: antennae rods
- 6' of 1" x 8" pine: base
- 16" of 2"x4" spruce/ pine: cabin
- 4' of 3/4" x 1 1/2" pine: handrail
- 2' X 7 1/2" X 1/4" darkwood or doorskin : decking and roof cover on Tugboat
- 2" common nails: approx. 10 pieces or less
- 1" common nails: approx. 10 pieces or less
- small container of Glue: quick drying time is recommended.

The scope is subject to change due to equipment and material availability and / or the discretion of the technical committee.

Judging / Distribution of Marks

- Safety / Work habits (marks deducted for unsafe work habits)
- Accuracy, quality, machining, assembly, sanding, conformation to drawing
- A detailed mark sheet will be given to you prior to the beginning of the competition.

Technical Committee:

Glenn Bedard

Technical Chair

gbedard@sd62.bc.ca

Skills Canada BC reserves the right to make changes to the scope document. Check the website for updates.

GENERAL NOTES

SAFETY IS TOP PRIORITY AND WILL FACTOR HEAVILY IN THE JUDGING.

ALL COMPETITORS SHALL WEAR SAFETY GLASSES, EAR PLUGS, APPROPRIATE FOOTWEAR AND CLOTHING AT ALL TIMES DURING COMPETITION.

PROJECTS WILL BE ASSESSED ON ACCURACY OF MEASUREMENT, LAYOUT, CUTTING AND QUALITY OF ASSEMBLY. MATERIAL APPEARANCE IS NOT CONSIDERED. PIECES THAT SPLIT OR OTHERWISE FAIL SHALL BE DISCARDED.

FASTENINGS SHALL BE AS FOLLOWS:

- PIECES 1, 2, 3, 4, 7, 8 1" COMMON NAILS
- PIECES 14, 15 GLUED AND 1" COMMON NAILS
- PIECES 5, 6 - 2" COMMON NAILS
- ALL DOWELS AND HANDRAILS WILL BE GLUED

DESIGNED BY: GLENN BEDARD

DRAWN BY:

CARTER GANTZERT	DATE
OLIVIER EMERY	
NO.	REVISION #1

PROJECT TITLE AND ADDRESS

JR WOODWORKING
TUGBOAT CHALLENGE

EDUCATION NAME AND ADDRESS

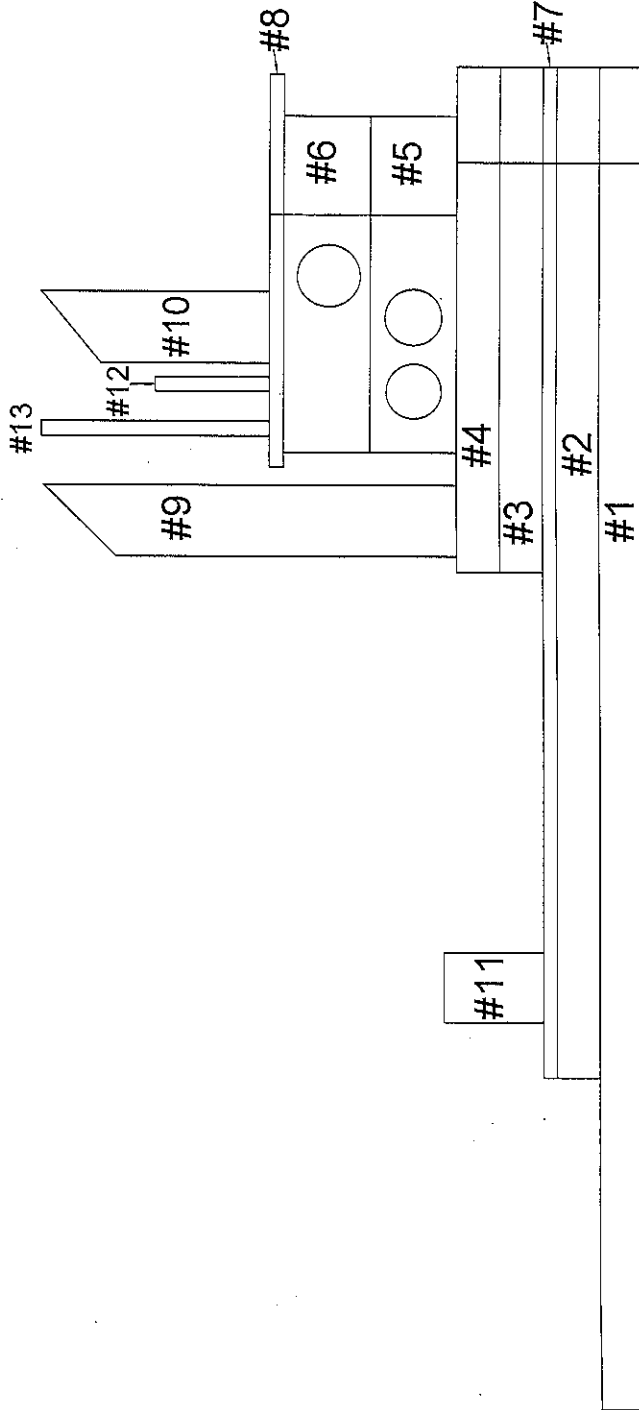


PROJECT TUGBOAT

DATE 03/03/2017

SCALE DO NOT SCALE

SHEET 1 OF 5



GENERAL NOTES

SAFETY IS TOP PRIORITY AND WILL FACTOR HEAVILY IN THE JUDGING

ALL COMPETITORS SHALL WEAR SAFETY GLASSES, EAR PLUGS AND PROTECTIVE FOOTWEAR AND CLOTHING AT ALL TIMES DURING COMPETITION.

PROJECTS WILL BE ASSESSED ON ACCURACY OF MEASUREMENT, LAYOUT, CUTTING AND QUALITY OF ASSEMBLY. MATERIAL APPEARANCE IS NOT CONSIDERED. PIECES THAT SPLIT OR OTHERWISE FAIL SHALL BE DISCARDED.

FASTENING SHALL BE AS FOLLOWS:

- PIECES 1,2,3,4,7,8
- 1" COMMON NAILS
- PIECES 14,15 GLUED AND
- 1" COMMON NAILS
- PIECES 5,6 - 2" COMMON NAILS
- ALL DOWELS AND HANDRAILS WILL BE GLUED

DESIGNED BY: GLENN BECARD

DRAWN BY:

ARTIST	GANTZERTI	DATE
NO.	REVISION / ISSUE	
	OLIVIER EMERY	

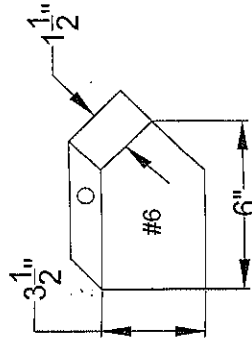
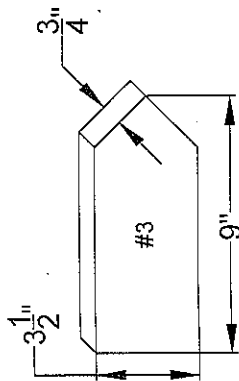
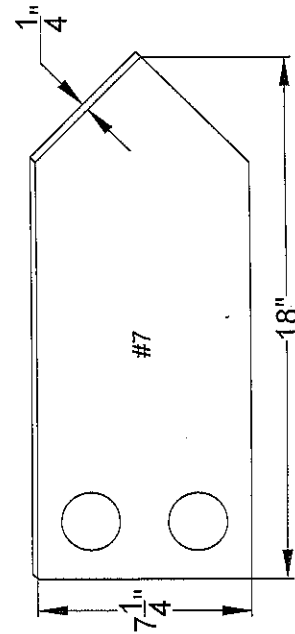
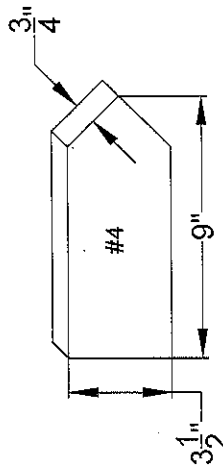
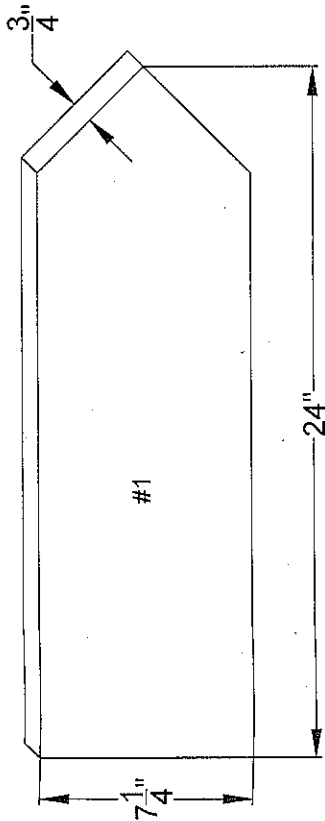
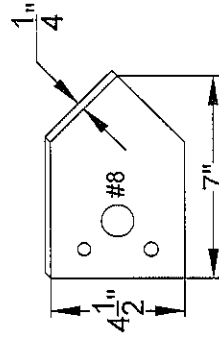
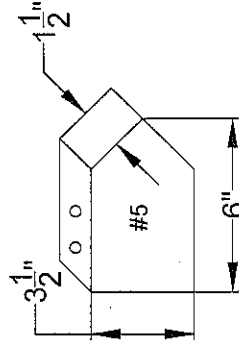
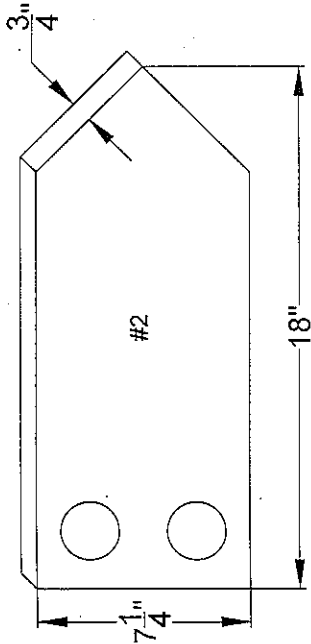
PROJECT NAME AND ADDRESS

JR WOODWORKING
TUGBOAT CHALLENGE

COMPANY NAME AND ADDRESS



PROJECT	TUGBOAT	SHEET
DATE	03/09/2017	2 OF 5
SCALE	DO NOT SCALE	



GENERAL NOTES

SAFETY IS TOP PRIORITY AND WILL FACTOR HEAVILY IN THE JUDGING.

ALL COMPETITORS SHALL WEAR SAFETY GLASSES, EAR PLUGS, APPROPRIATE FOOTWEAR AND CLOTHING AT ALL TIMES DURING COMPETITION.

PROJECTS WILL BE ASSESSED ON ACCURACY OF MEASUREMENT, LAYOUT, CUTTING AND QUALITY OF ASSEMBLY. MATERIAL APPEARANCE IS NOT CONSIDERED. PIECES THAT SPLIT OR OTHERWISE FAIL SHALL BE DISCARDED.

FASTENING SHALL BE AS FOLLOWS:

- PIECES 1, 2, 3, 4, 7, 8
- COMMON NAILS
- PIECES 14, 15 GLUED AND
- 1" COMMON NAILS
- PIECES 6, 9 - 2" COMMON NAILS
- ALL DOWELS AND HANDRAILS WILL BE GLUED

DESIGNED BY: GLENN BEDARD

DRAWN BY:

CARTER GANTZERT	DATE
OLIVIER EMERY	DATE
NO.	REVISION/ISSUE

PROJECT NAME AND ADDRESS

JR WOODWORKING
TUGBOAT CHALLENGE

COPYRIGHT NAME AND ADDRESS



PAPER

TUGBOAT

SHEET

DATE

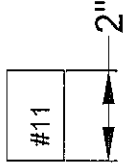
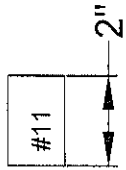
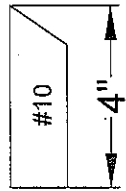
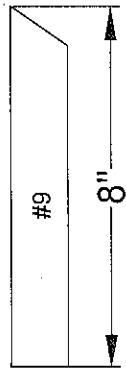
09/03/2017

3 OF 6

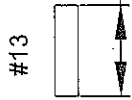
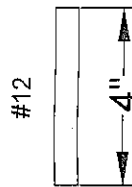
SCALE

DO NOT SCALE

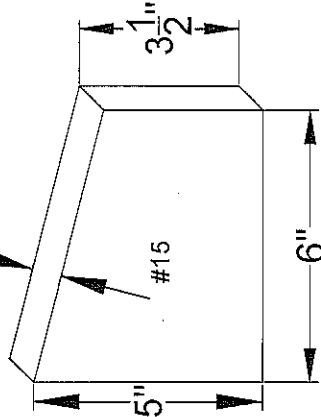
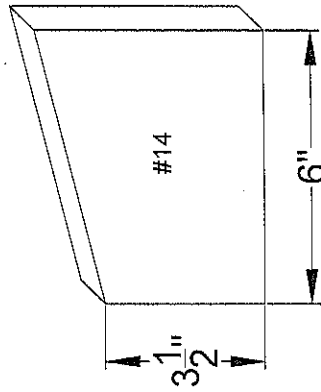
1 1/4" DOWELS



1/4" DOWELS

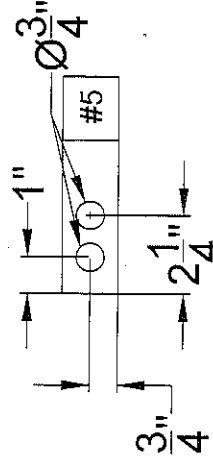
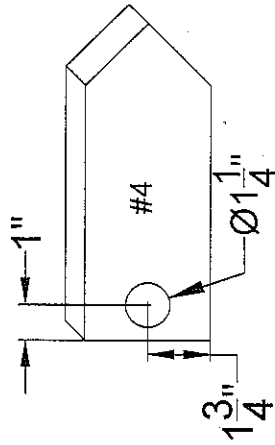
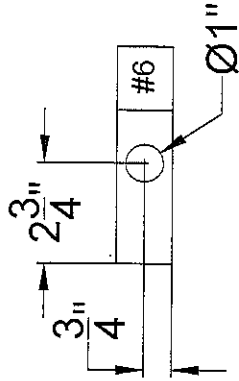
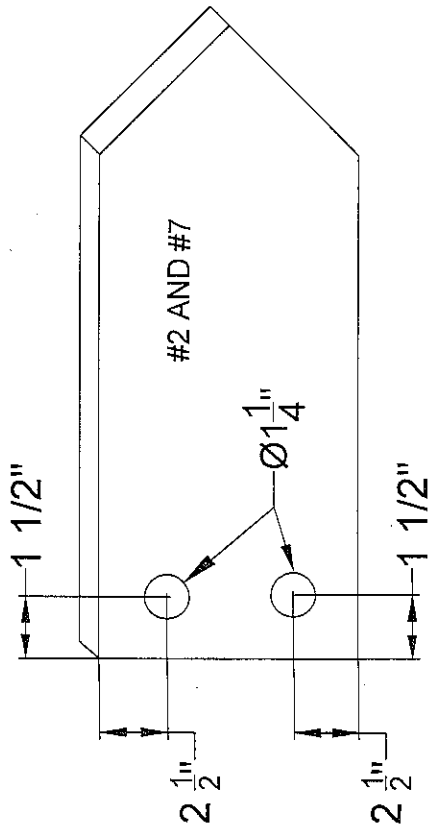


BOW PIECES



3 3/4
4

HOLE PLACEMENT



GENERAL NOTES

SAFETY IS TOP PRIORITY AND WILL FACT FOR HEAVILY IN THE JUDGING.

ALL COMPETITORS SHALL WEAR SAFETY GLASSES, EAR PLUGS, APPROPRIATE FOOTWEAR AND CLOTHING AT ALL TIMES DURING COMPETITION.

PROJECTS WILL BE ASSESSED ON ACCURACY OF MEASUREMENT, LAYOUT, QUALITY OF ASSEMBLY, MATERIAL APPEARANCE IS NOT CONSIDERED, PIECES THAT SPLIT OR OTHERWISE FAIL SHALL BE DISCARDED.

FASTENING SHALL BE AS FOLLOWS:

- PIECES 1,2,3,4,7,8
- COMMON NAILS
- PIECES 14,15 GLEUED AND COMMON NAILS
- PIECES 9,9 - 2' COMMON NAILS
- ALL DOMES AND HANDRAILS WILL BE GLEUED

DESIGNED BY: GLENN BEDARD

DRAWN BY:

CARTER GAMTZERT	DATE
OLIVIER EMERY	
NO.	REVISION/ISSUE

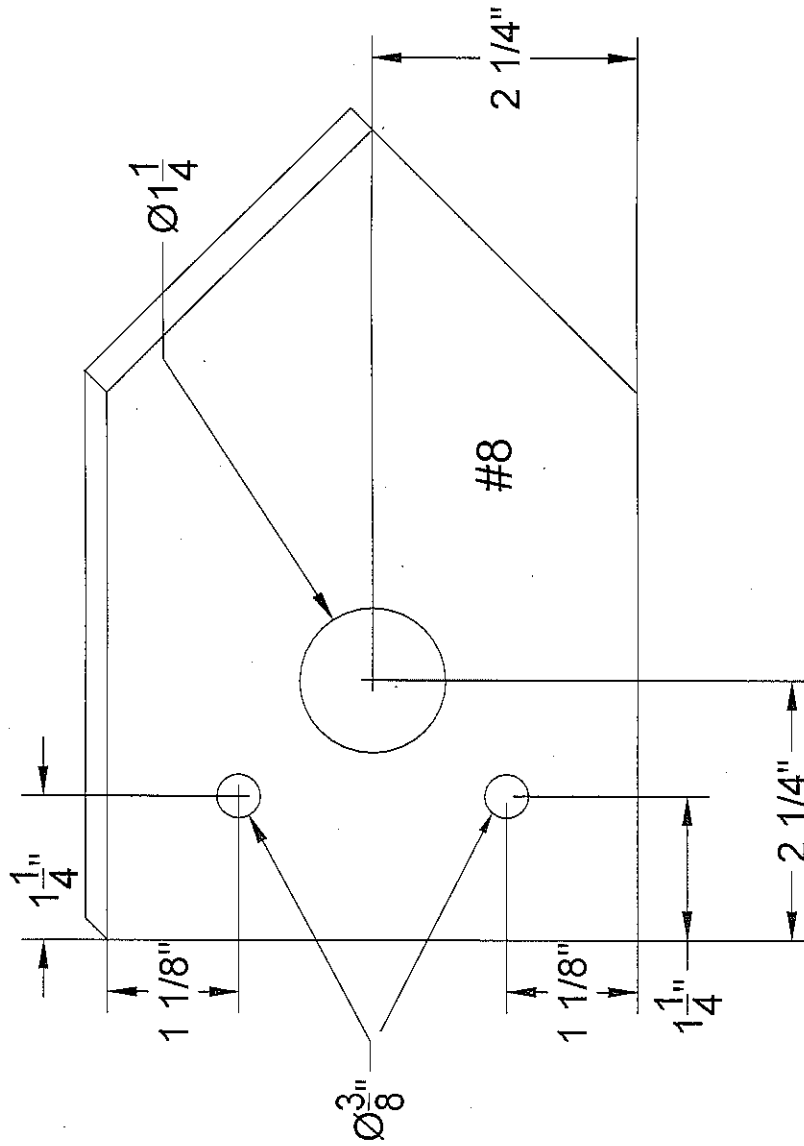
PROJECT NAME AND ADDRESS

JR WOODWORKING
TUGBOAT CHALLENGE



PROJECT	TUGBOAT	SHEET	4 OF 5
DATE	03/03/2017	SCALE	DO NOT SCALE

HOLE PLACEMENT



GENERAL NOTES

SAFETY IS TOP PRIORITY AND WILL FACTOR HEAVILY IN THE JUDGING.

ALL COMPETITORS SHALL WEAR SAFETY GLASSES, EAR PLUGS, APPROPRIATE FOOTWEAR AND CLOTHING AT ALL TIMES DURING COMPETITION.

PROJECTS WILL BE ASSESSED ON ACCURACY OF MEASUREMENT, LAYOUT, CUTTING AND QUALITY OF ASSEMBLY. MATERIAL APPEARANCE IS NOT CONSIDERED. PIECES THAT SPLIT OR OTHERWISE FAIL SHALL BE DISCARDED.

FASTENING SHALL BE AS FOLLOWS:

- PIECES 1,2,3,4,7,8 COMMON NAILS
- PIECES 5,6,9,10 COMMON NAILS
- PIECES 5,6 - 2" COMMON NAILS
- ALL DOWELS AND HANDRAILS WILL BE GLUED

DESIGNED BY: GLENN BEDARD

DRAWN BY:

CARTER GANTZERTY		DATE	
OLIVIER EMERY		DATE	
NO.	REVISION / ISSUE		

PROJECT NAME AND ADDRESS

JR WOODWORKING
TUGBOAT CHALLENGE

COMPANY LOGO AND ADDRESS



PROJECT	TUGBOAT	SHEET	
DATE	09/03/2017	5 OF 5	
DO NOT SCALE			