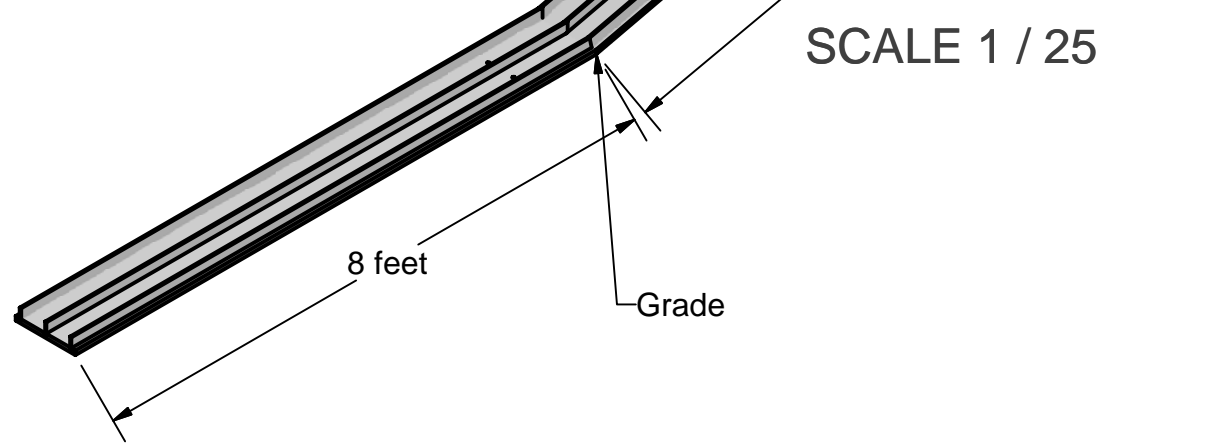
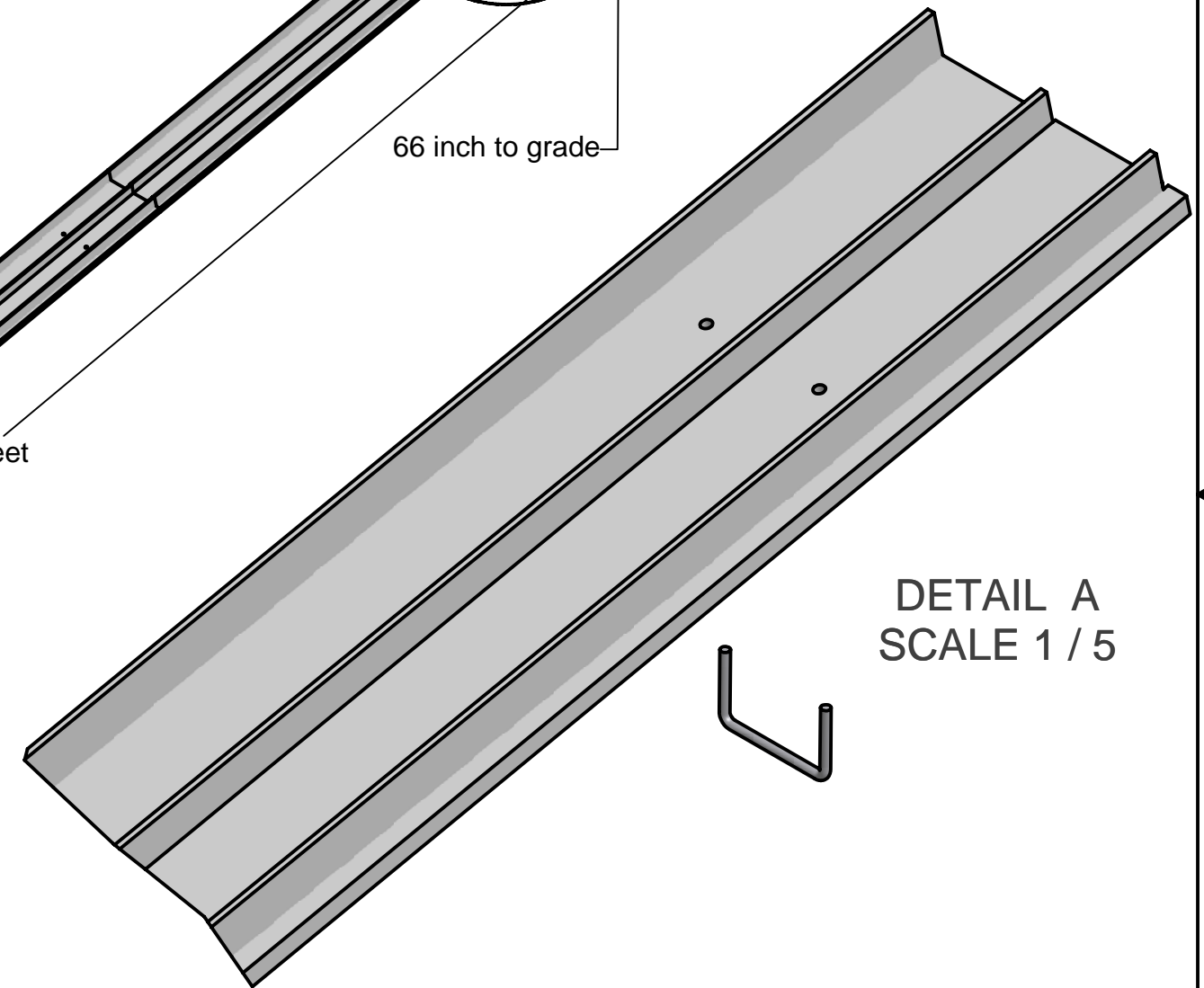
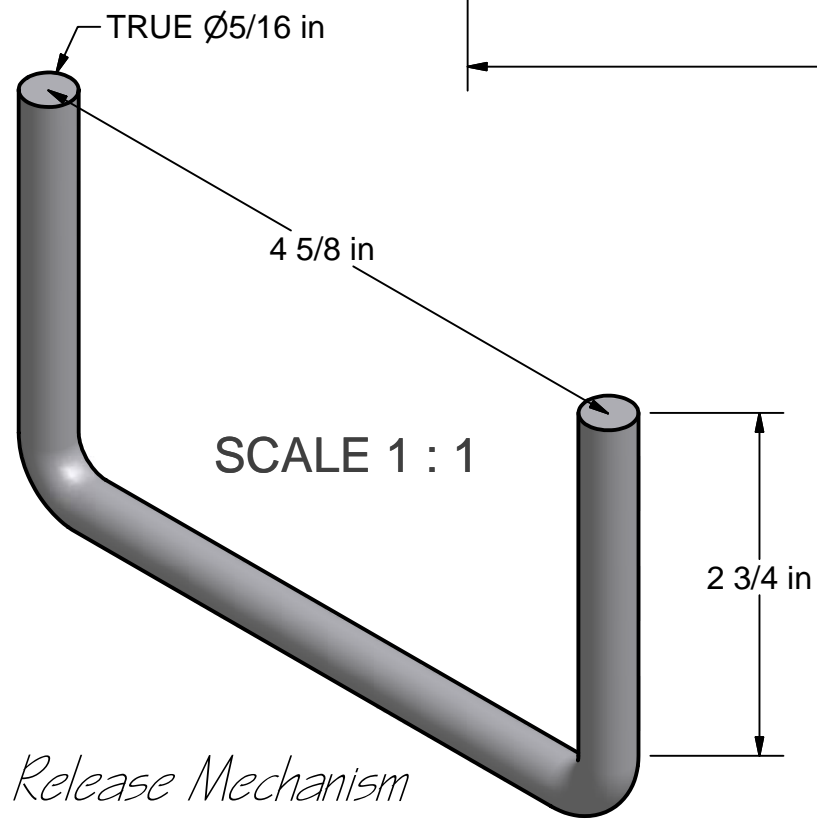
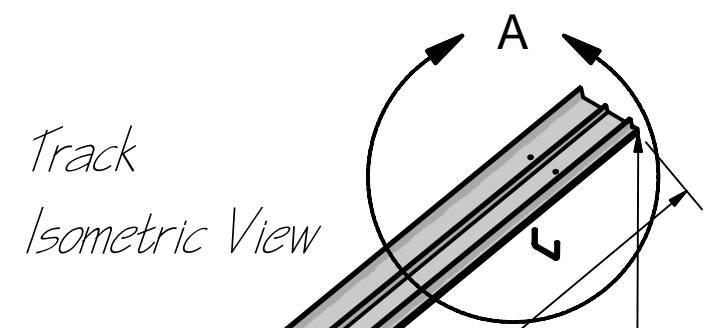
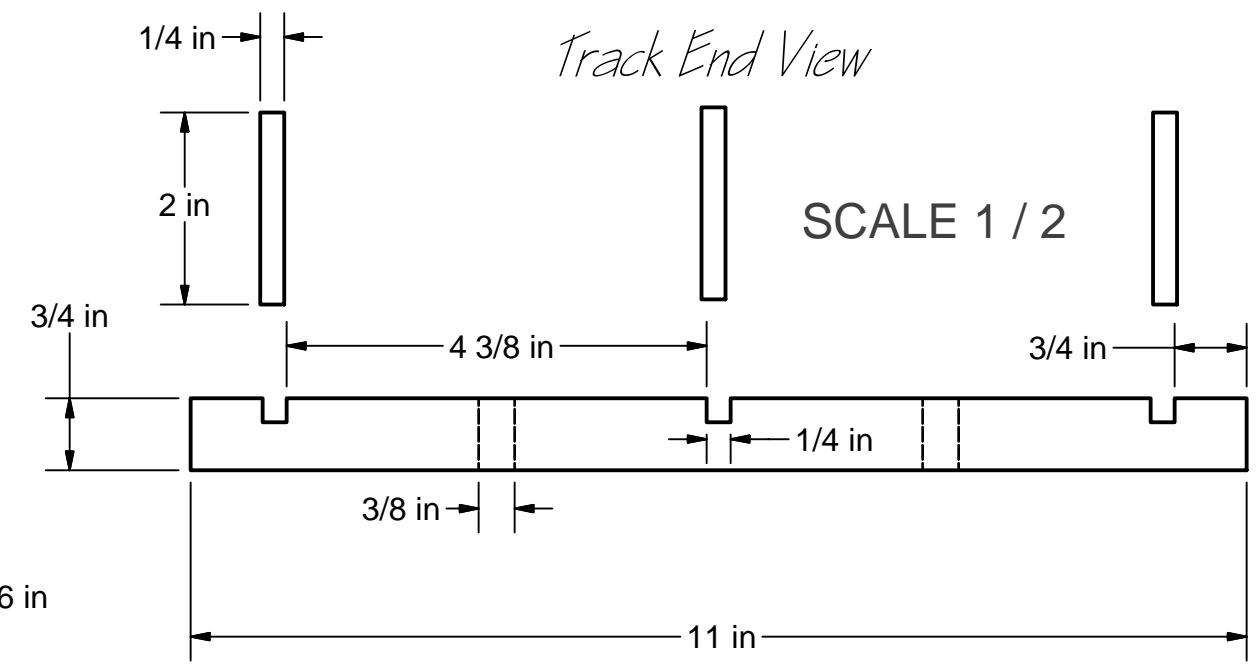


4 3 2 1



B

B

↕

↕

A

A

4 3 2 1

DRAWN	user	1/24/2006		
CHECKED				
QA			TITLE	
MFG			<i>Gravity Vehicle Track Assembly</i>	
APPROVED			SIZE	DWG NO
			B	TrackAssembly1
			SCALE	REV
<i>A. Thorvaldson</i>				2
			SHEET 1	OF 1