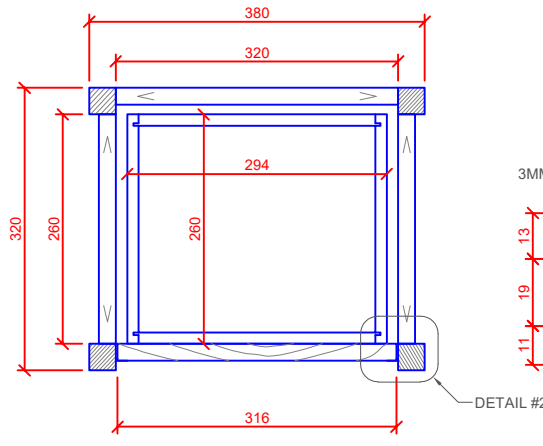
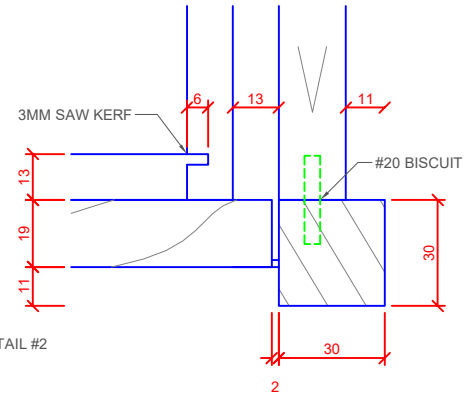


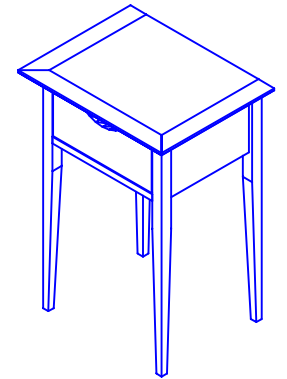
PLAN



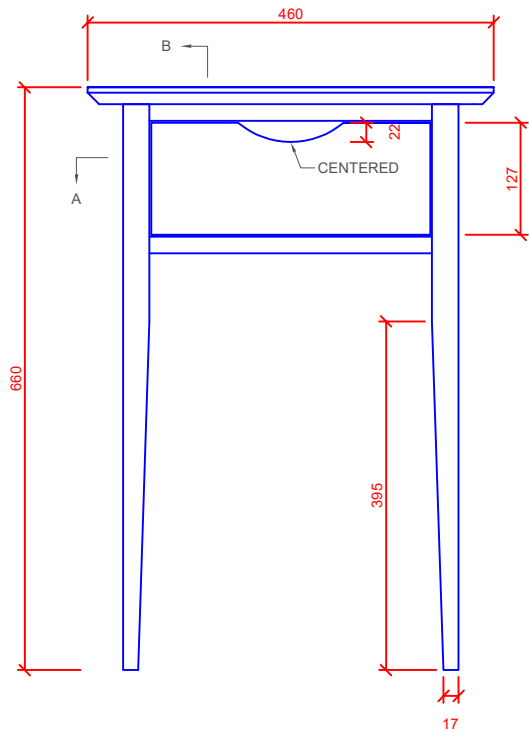
PLAN SECTION A



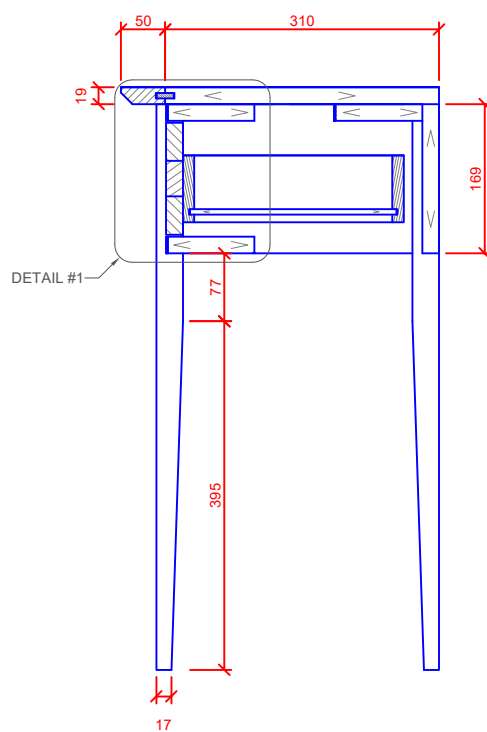
DETAIL #2 SCALE 1:1



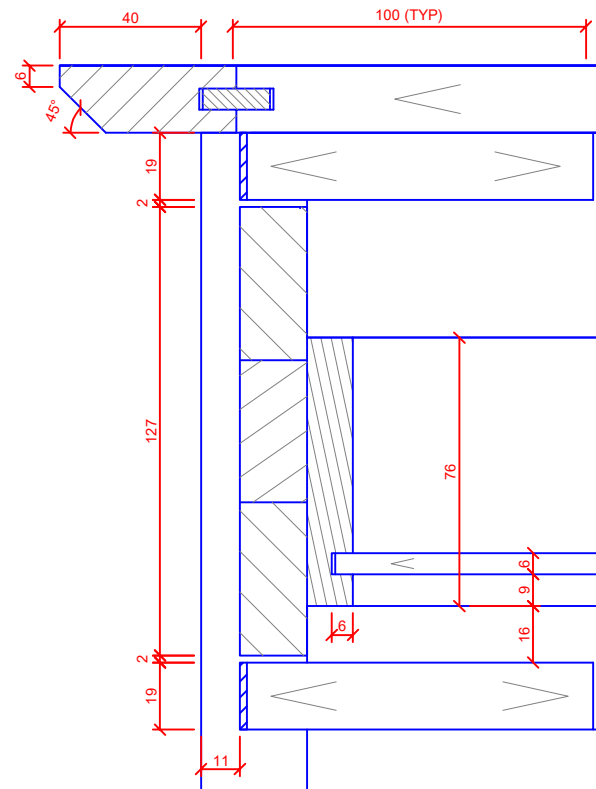
ISOMETRIC SCALE 1:8



FRONT ELEVATION



RIGHT SIDE SECTION B



DETAIL #1 SCALE 1:1

NOTES: BISCUIT CONSTRUCTION DADO & REBATE DRAWER JOINT	
MATERIAL: BIRCH/WALNUT SOLIDS 19MM BIRCH PLY 6MM BIRCH PLY	
HARDWARE: 250MM SIDE MOUNT SLIDES	
TITLE: BEDSIDE TABLE	
FINISH: TBD	
CLIENT: SKILLS CANADA	
SCALE: 1:4	QUANTITY: 1
DRAWN BY: BN	DATE: FEB 16, 2024
FILE PATH:	