

**General Notes**  
FOR EDUCATIONAL  
PURPOSES ONLY

**CONTENTS**

- A1 - ISOMETRIC
- A2 - PLANS
- A3 - PLANS
- A4 - ELEVATIONS
- A5 - ELEVATIONS
- A6 - SECTIONS
- A7 - DETAILS
- A8 - DETAILS
- A9 - DETAILS

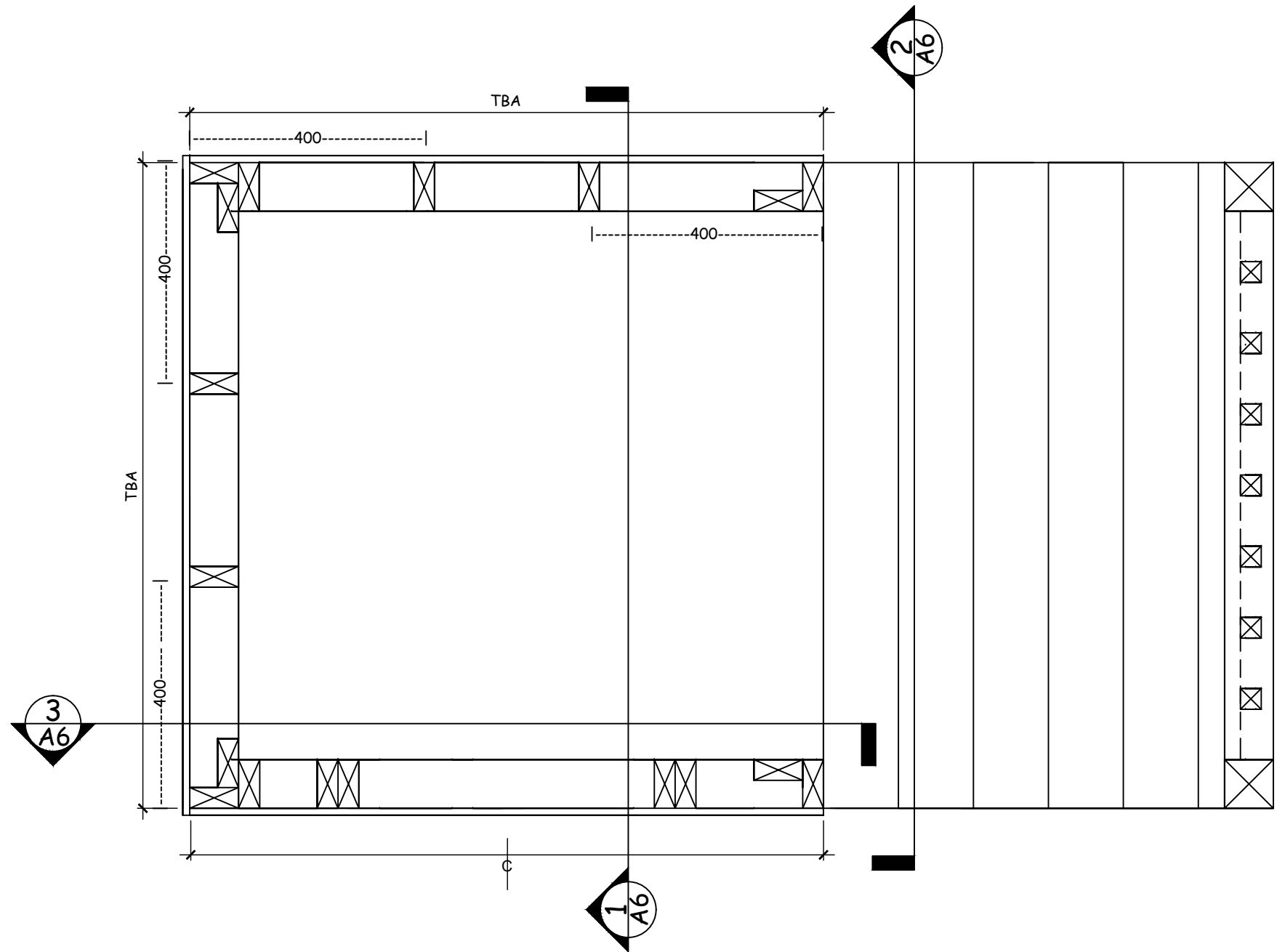
No.	Revision/Issue	DATE
	Revised: T. Haag	Apr.12/21
1	UPDATE	MAR.30
2	UPDATE	JAN.26

**SKILLS  
CANADA**

PROVINCIAL  
POST-SECONDARY  
CARPENTRY

**ISOMETRIC**

DRAWN BY: JACOB OBRIGEWITCH JACOB MAJAK Revised: T. Haag Feb 17/23	SHEET #  <b>A1</b>
DATE: 3/30/2019	
SCALE: NOT TO SCALE	



**1 FLOOR PLAN**

**General Notes**  
FOR EDUCATIONAL  
PURPOSES ONLY

- 1) ALL SHEATHING TO BE VERIFIED ON SITE.
- 2) ALL DIMENSIONS TO FRAMING
- 3) CENTER WINDOW FROM OUTSIDE WALL

No.	Revision/Issue	DATE
	Revised T Haag	02/17/23
	Revised: T. Haag	Apr.12/21
1	UPDATE	MAR.30
2	UPDATE	JAN.26

**SKILLS  
CANADA**

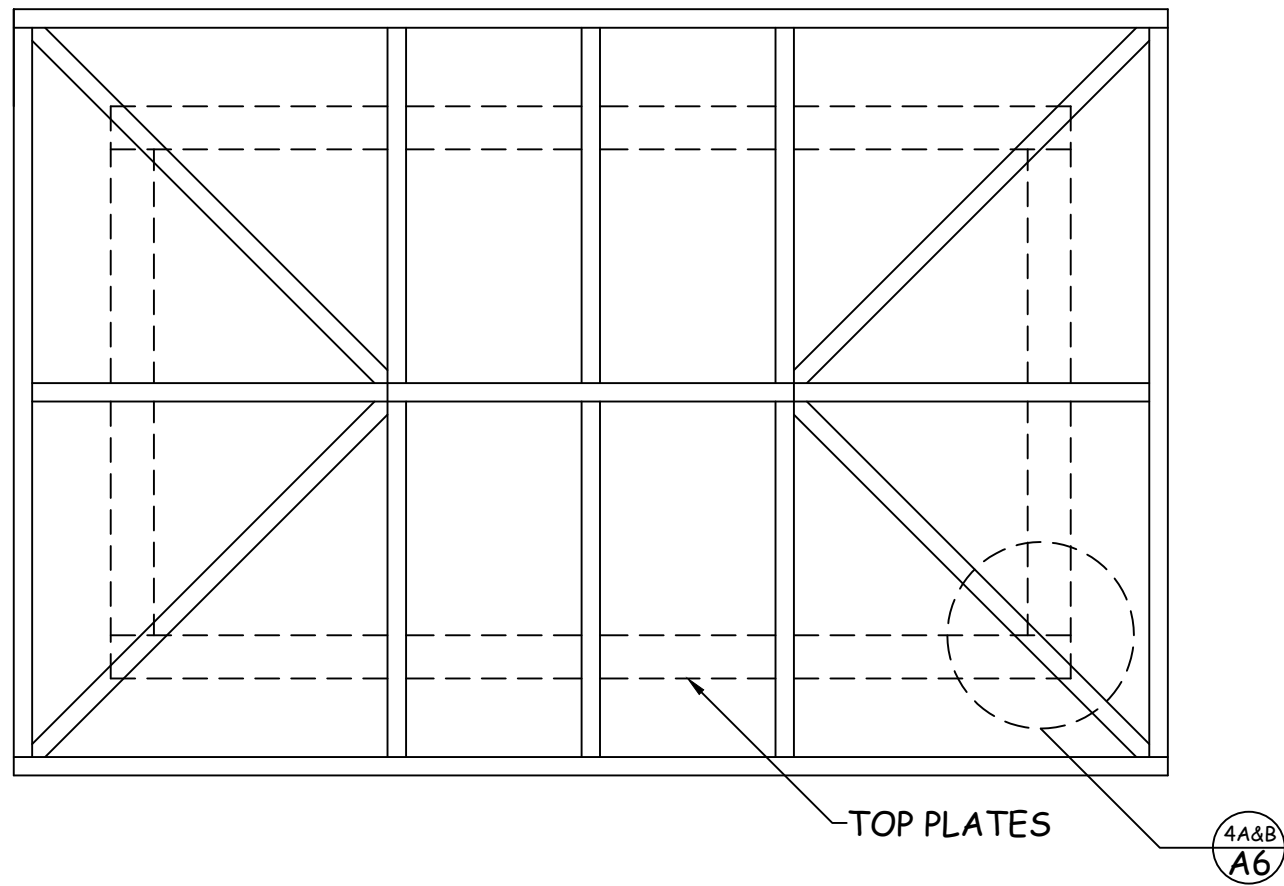
PROVINCIAL  
POST-SECONDARY  
CARPENTRY

**PLANS**

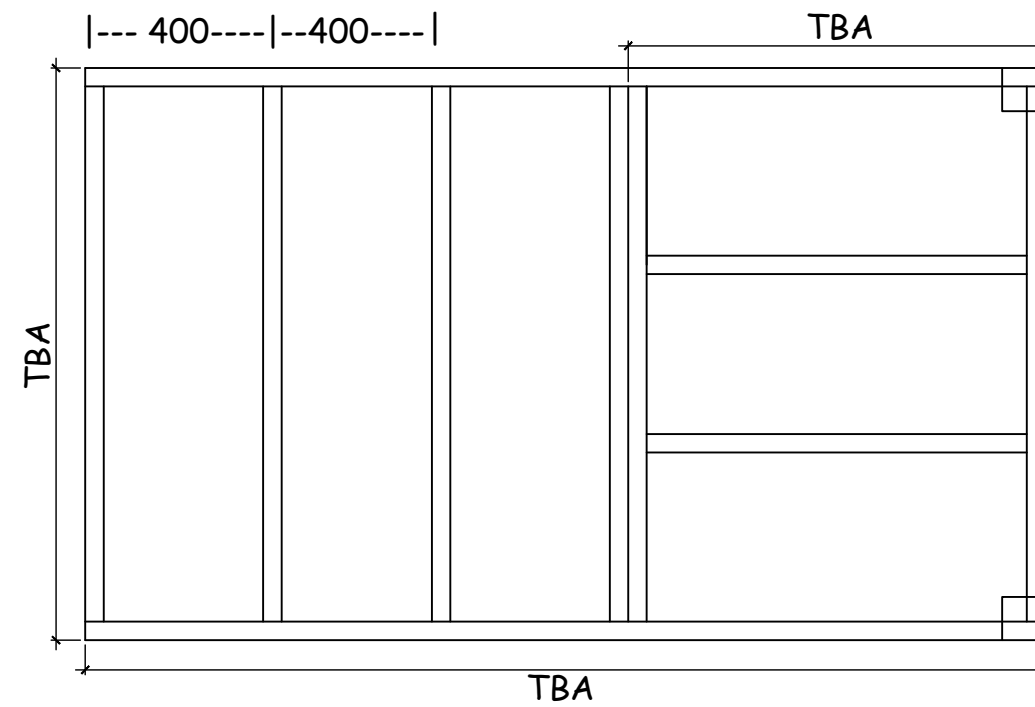
DRAWN BY: JACOB OBRIGEWITCH JACOB MAJAK Revised: T. Haag Feb 17/23	SHEET # <b>A2</b>
DATE: 3/30/2019	
SCALE: NOT TO SCALE	

**General Notes**  
FOR EDUCATIONAL  
PURPOSES ONLY

- 1) 38 X 140 RIDGE
- 2) 38 x 89 COMMON RAFTERS
- 3) 38 X 140 HIP RAFTER
- 4) Deck Joists equally spaced



1 ROOF FRAMING PLAN



2 FLOOR JOIST/DECK PLAN

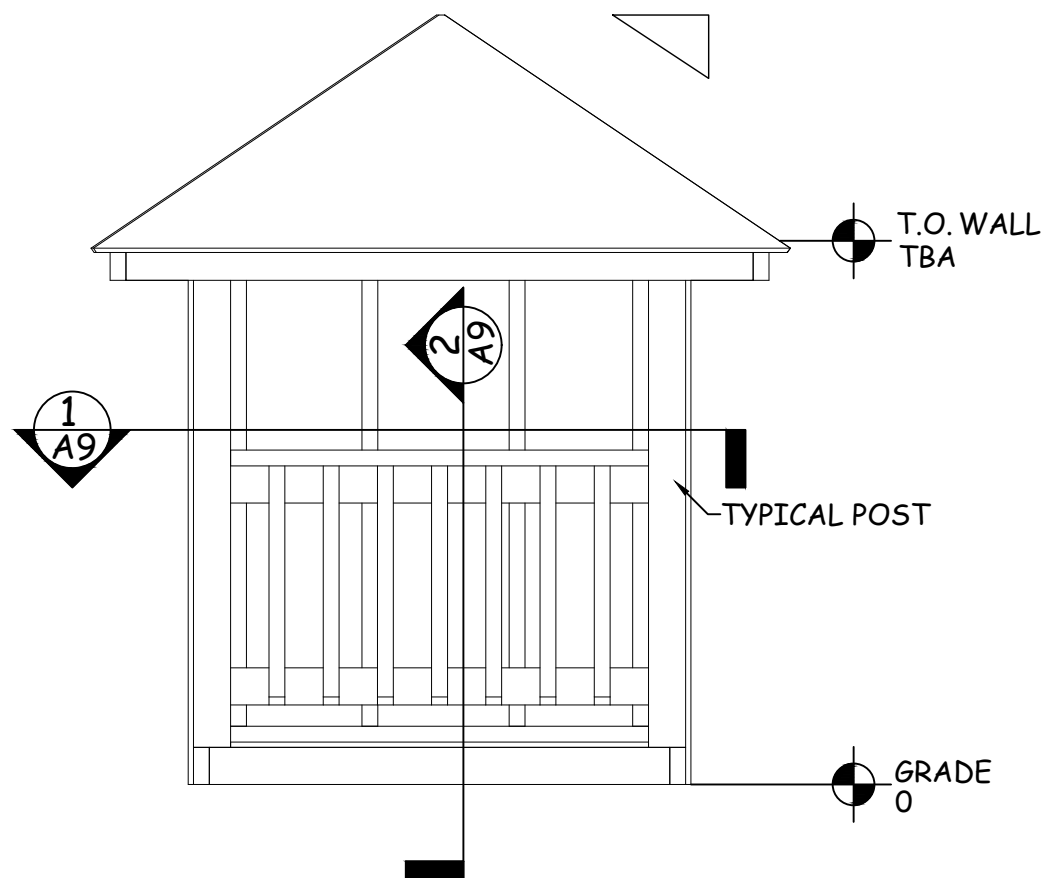
	Revised T Haag	02/17/23
	Revised: T. Haag	Apr.12/21
1	UPDATE	MAR.30
2	UPDATE	JAN.26
No.	Revision/Issue	DATE

**SKILLS  
CANADA**

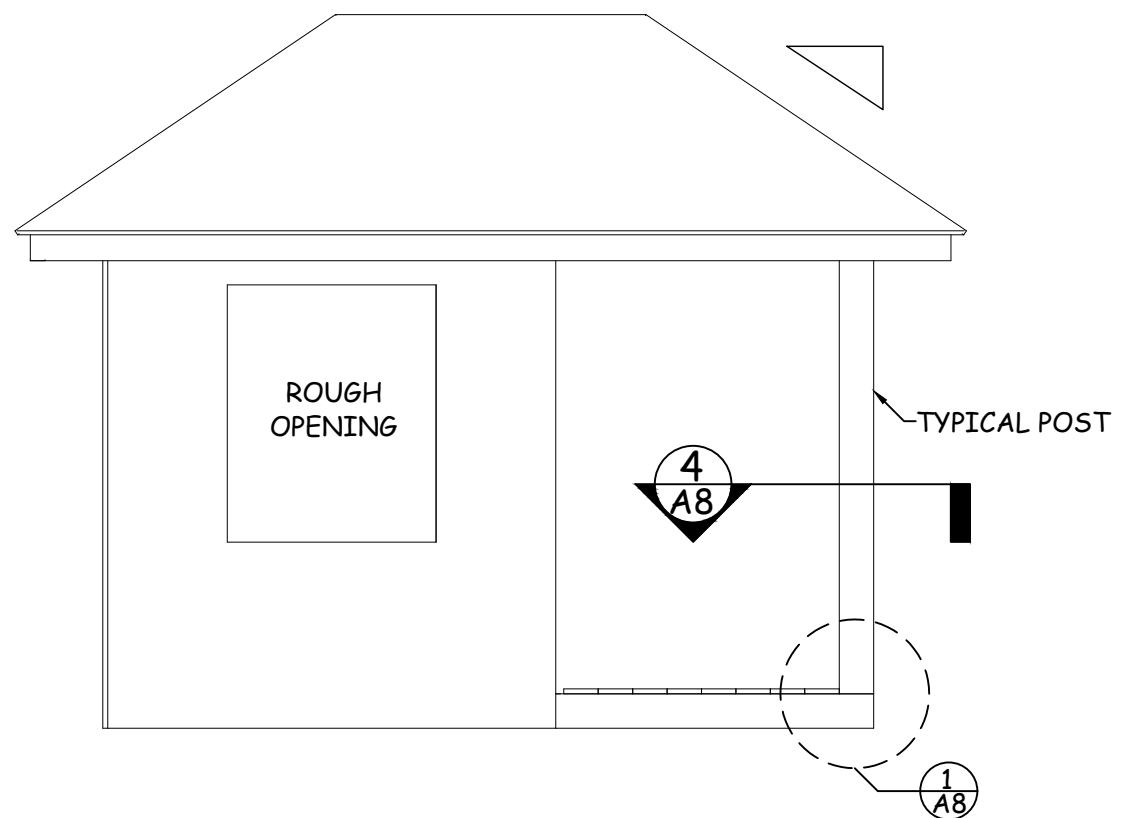
PROVINCIAL  
POST-SECONDARY  
CARPENTRY

**PLANS**

DRAWN BY: JACOB OBRIGEWITCH JACOB MAJAK Revised: T. Haag Feb 17/23	SHEET # <b>A3</b>
DATE: 3/30/2019	
SCALE: NOT TO SCALE	



1 FRONT-ELEVATION



2 LEFT SIDE-ELEVATION

**General Notes**  
FOR EDUCATIONAL  
PURPOSES ONLY

NO SHEATHING TO  
BE APPLIED TO  
ROOF.

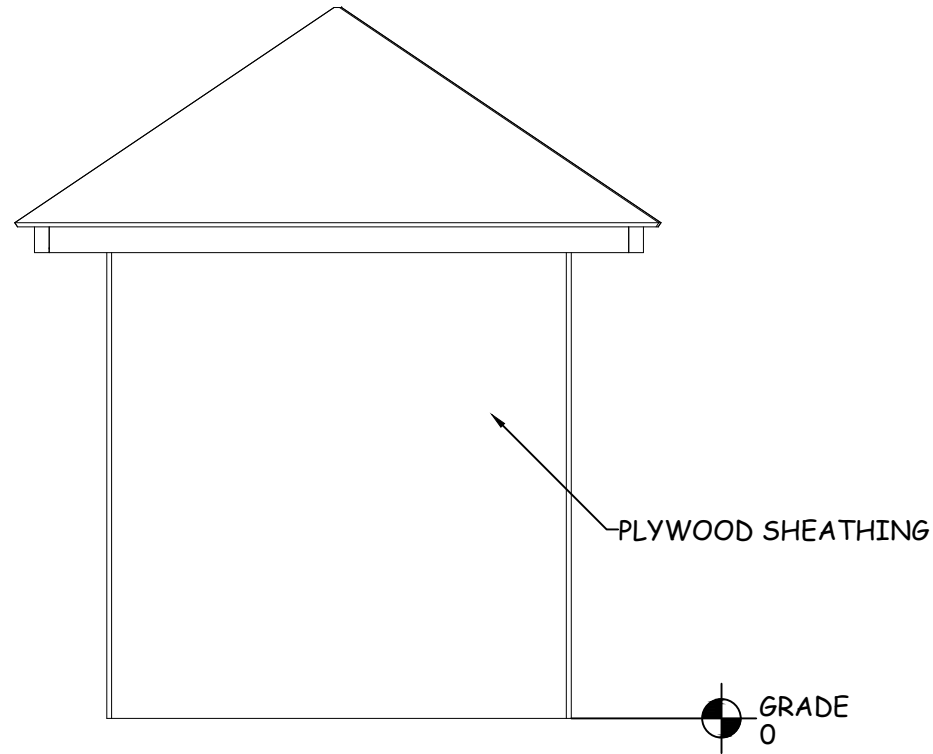
No.	Revision/Issue	DATE
	Revised T Haag	02/17/23
	Revised: T. Haag	Apr.12/21
1	UPDATE	MAR.30
2	UPDATE	JAN.26

**SKILLS  
CANADA**

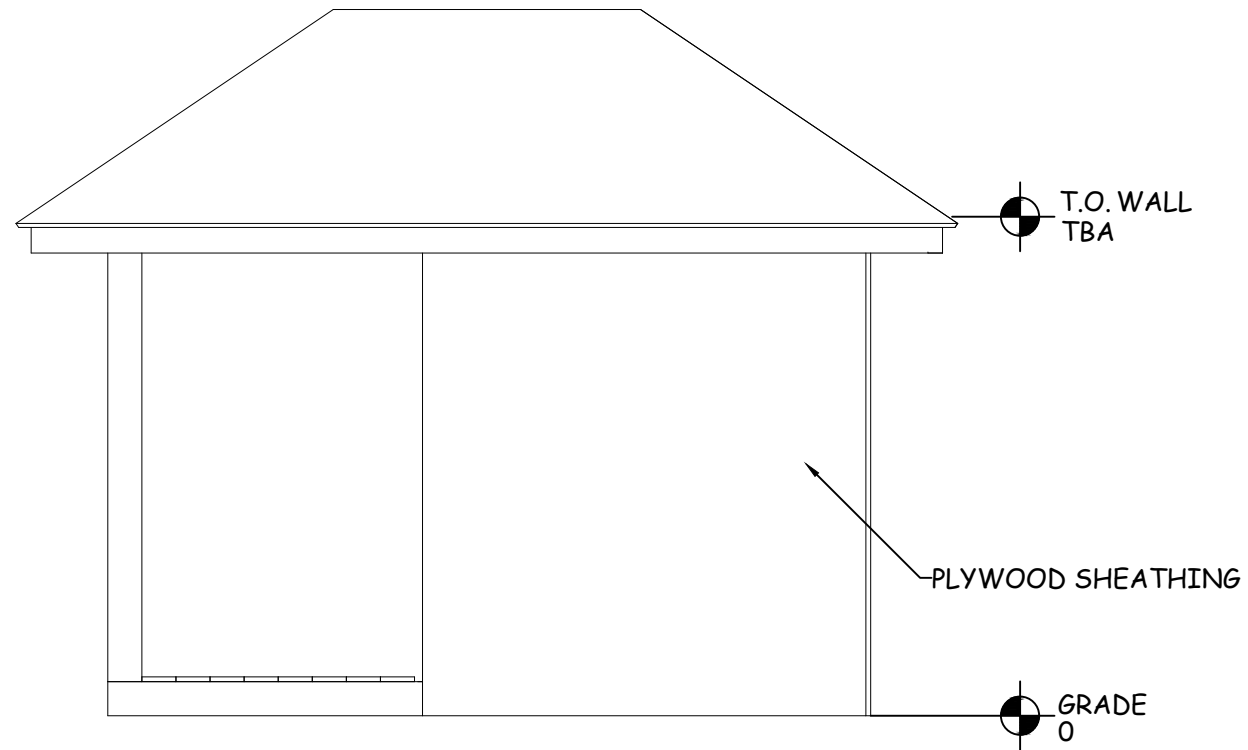
PROVINCIAL  
POST-SECONDARY  
CARPENTRY

**ELEVATIONS**

DRAWN BY: JACOB OBRIGEWITCH JACOB MAJAK Revised: T. Haag Feb 17/23	SHEET # <b>A4</b>
DATE: 3/30/2019	
SCALE: NOT TO SCALE	



1 REAR-ELEVATION



2 RIGHT SIDE-ELEVATION

**General Notes**  
FOR EDUCATIONAL  
PURPOSES ONLY

NO SHEATHING TO  
BE APPLIED TO  
ROOF.

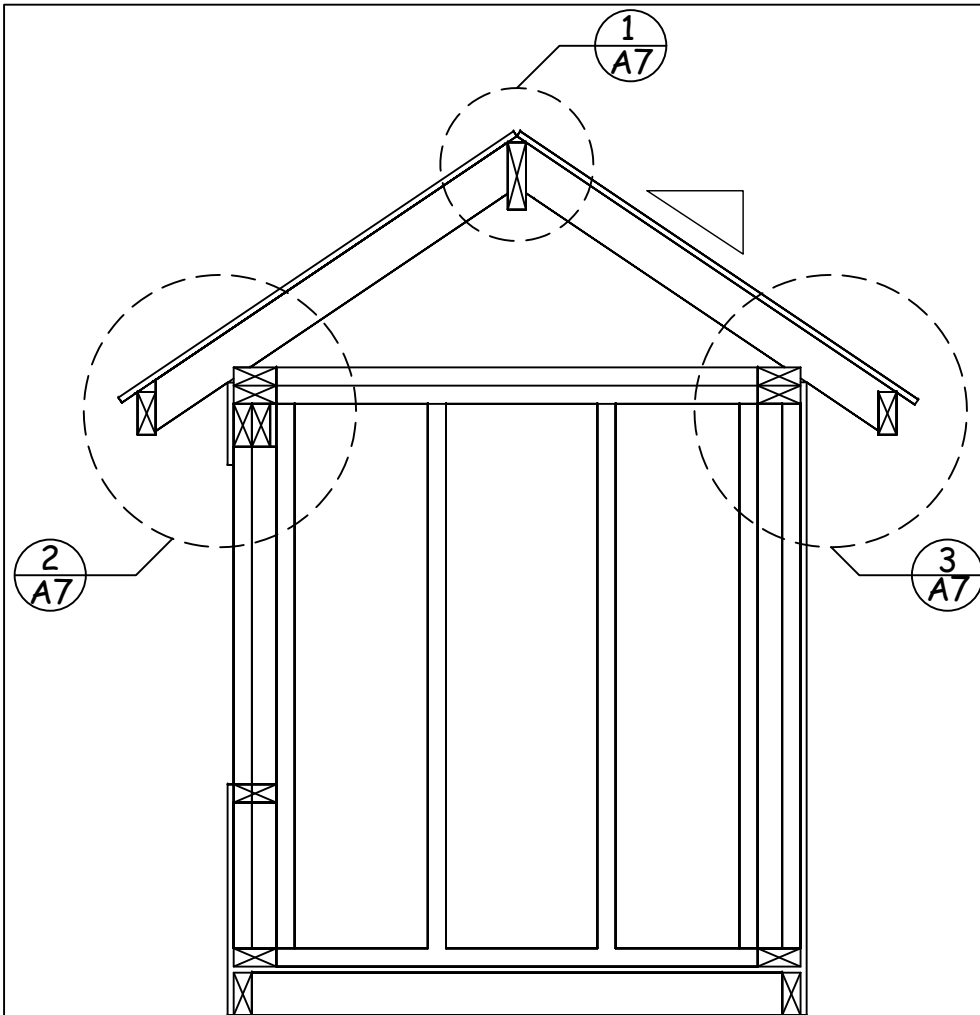
No.	Revision/Issue	DATE
	Revised T Haag	02/17/23
	Revised: T. Haag	Apr.12/21
1	UPDATE	MAR.30
2	UPDATE	JAN.26

**SKILLS  
CANADA**

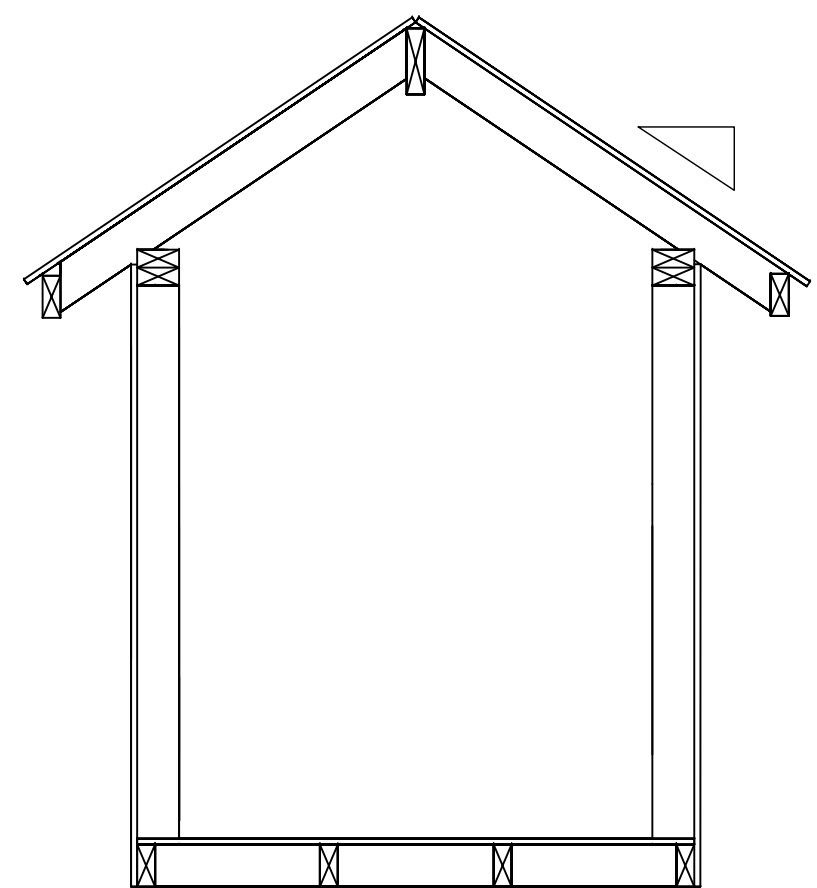
PROVINCIAL  
POST-SECONDARY  
CARPENTRY

**ELEVATIONS**

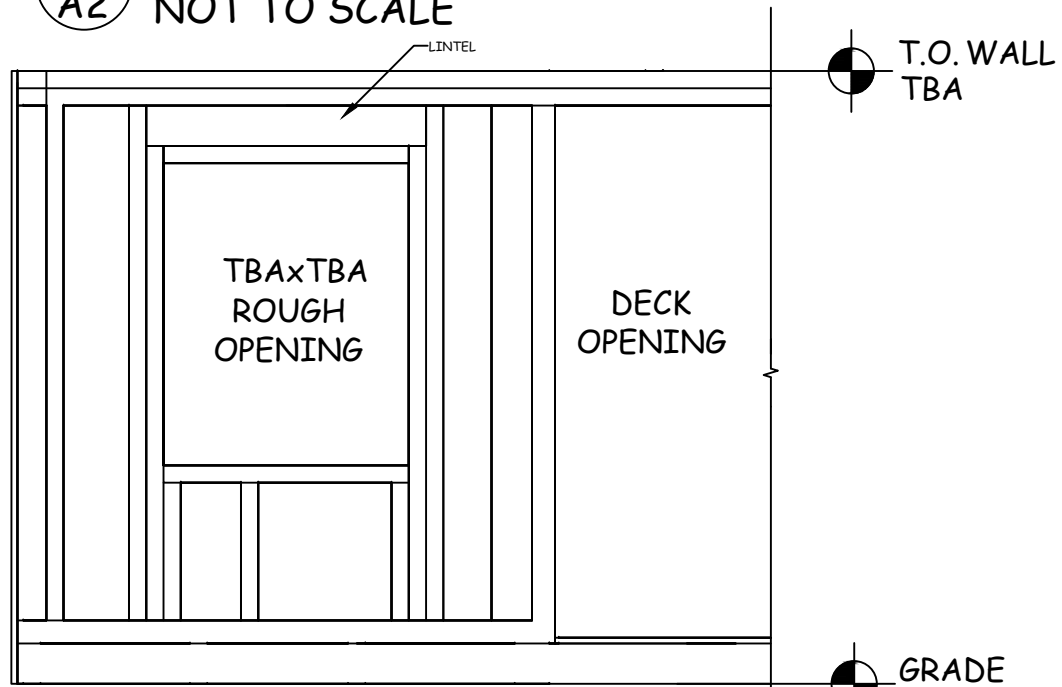
DRAWN BY: JACOB OBRIGEWITCH JACOB MAJAK Revised: T. Haag Feb 17/23	SHEET # <b>A5</b>
DATE: 3/30/2019	
SCALE: NOT TO SCALE	



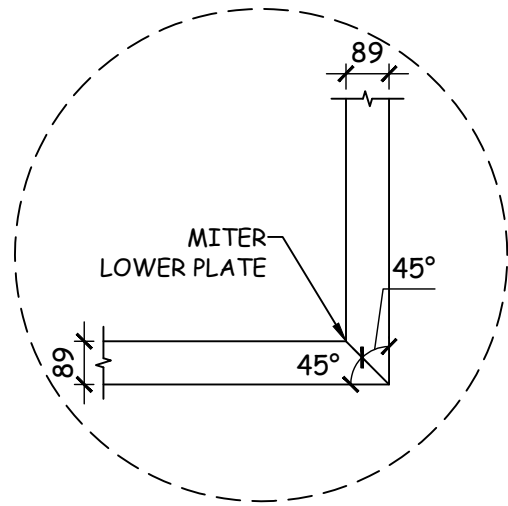
**1 SECTION 1**  
A2 NOT TO SCALE



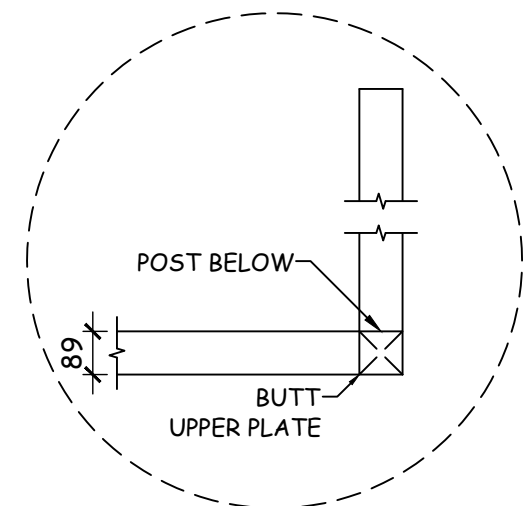
**2 SECTION 2**  
A2 (EXCLUDING BACK WALL)  
NOT TO SCALE



**3 SECTION 3**  
A2 NOT TO SCALE



**4A PLAN OF LOWER TOP PLATE**  
A3 CONNECTION AT POSTS  
NOT TO SCALE



**4A PLAN OF UPPER TOP PLATE**  
A3 CONNECTION AT POSTS  
NOT TO SCALE

**General Notes**  
FOR EDUCATIONAL  
PURPOSES ONLY

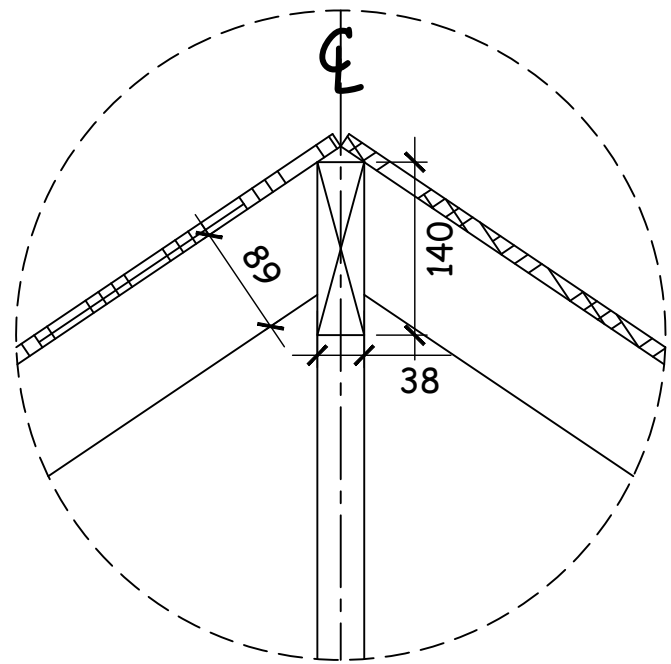
No.	Revision/Issue	DATE
	Revised T Haag	02/17/23
	Revised: T. Haag	Apr.12/21
1	UPDATE	MAR.30
2	UPDATE	JAN.26

**SKILLS  
CANADA**

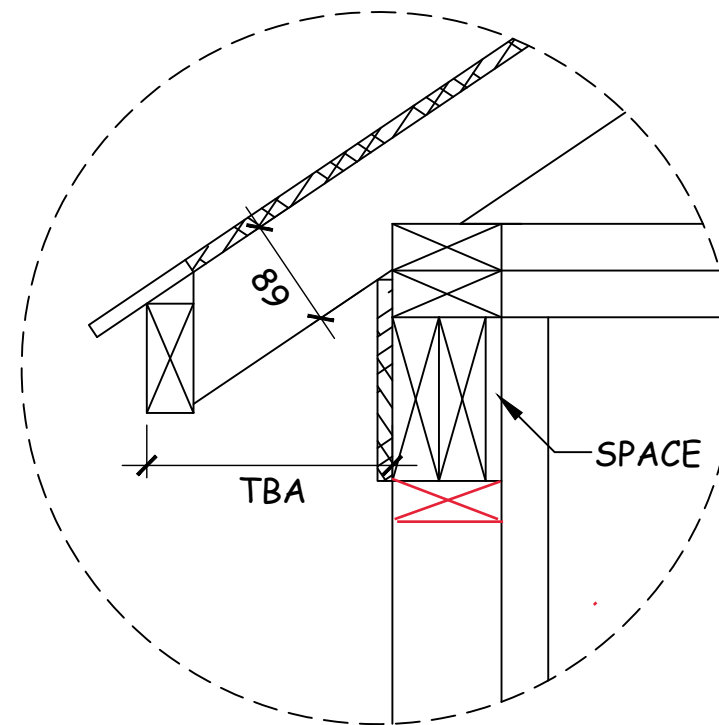
PROVINCIAL  
POST-SECONDARY  
CARPENTRY

**SECTIONS**

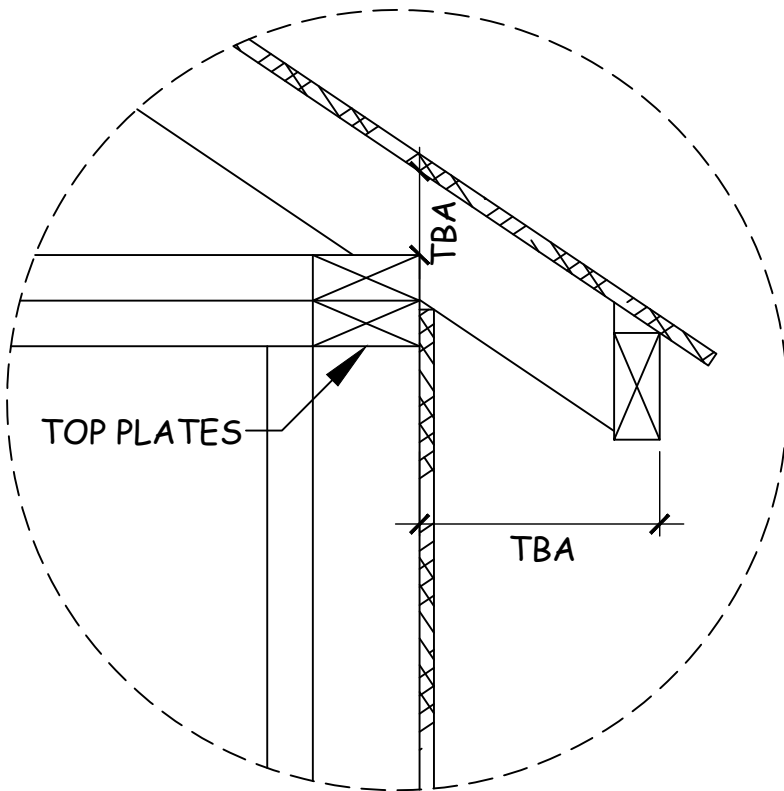
DRAWN BY: JACOB OBRIGEWITCH JACOB MAJAK Revised: T. Haag Feb 17/23	SHEET # <b>A6</b>
DATE: 3/30/2019	
SCALE: NOT TO SCALE	



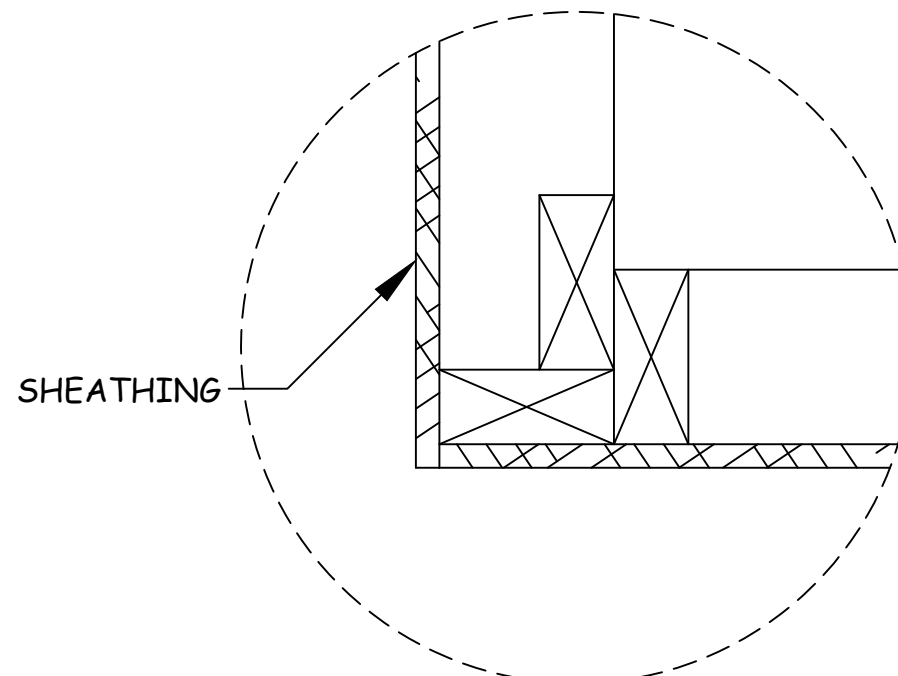
1 FLOOR JOIST PLAN  
A6 TYP. AT EACH END



2 EAVE DETAIL @ LINTEL  
A6



3 FLOOR JOIST PLAN  
A6



4 TYP. WALL CORNER  
A2

**General Notes**  
FOR EDUCATIONAL  
PURPOSES ONLY

2-ply 38 x 140 Lintel

No.	Revision/Issue	DATE
	Revised T Haag	02/17/23
	Revised: T. Haag	Apr.12/21
1	UPDATE	MAR.30
2	UPDATE	JAN.26

**SKILLS  
CANADA**

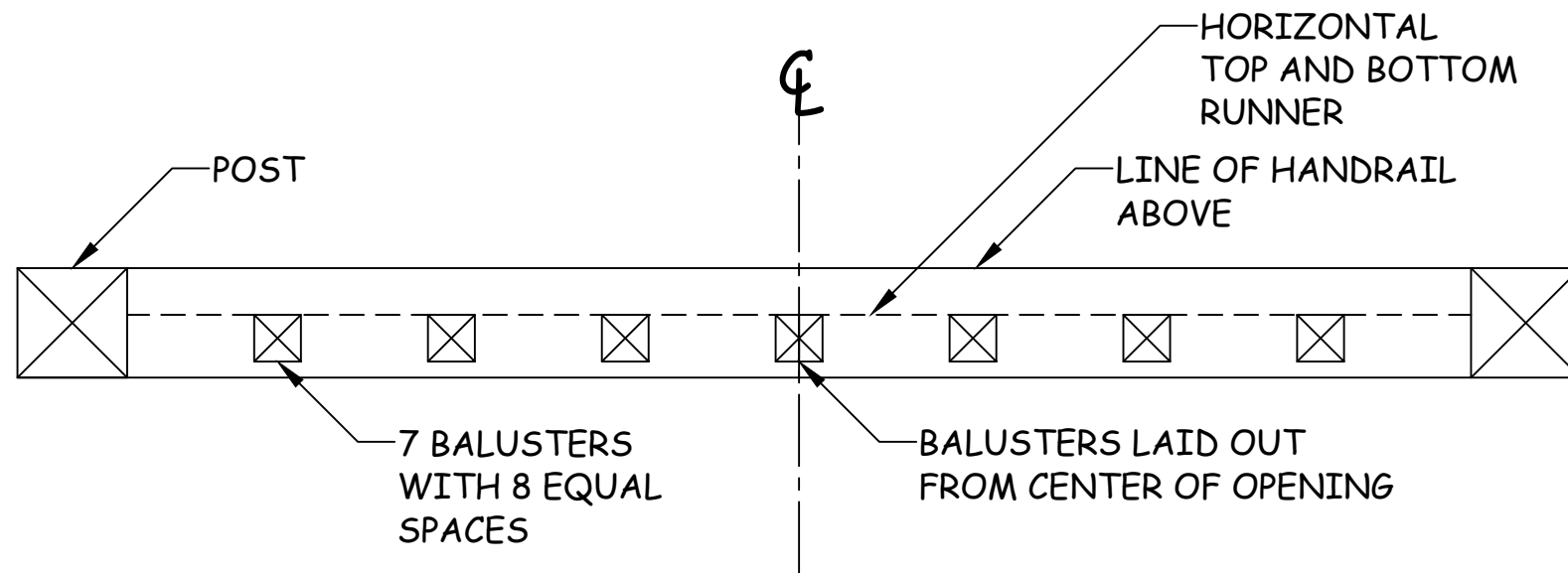
PROVINCIAL  
POST-SECONDARY  
CARPENTRY

**DETAILS**

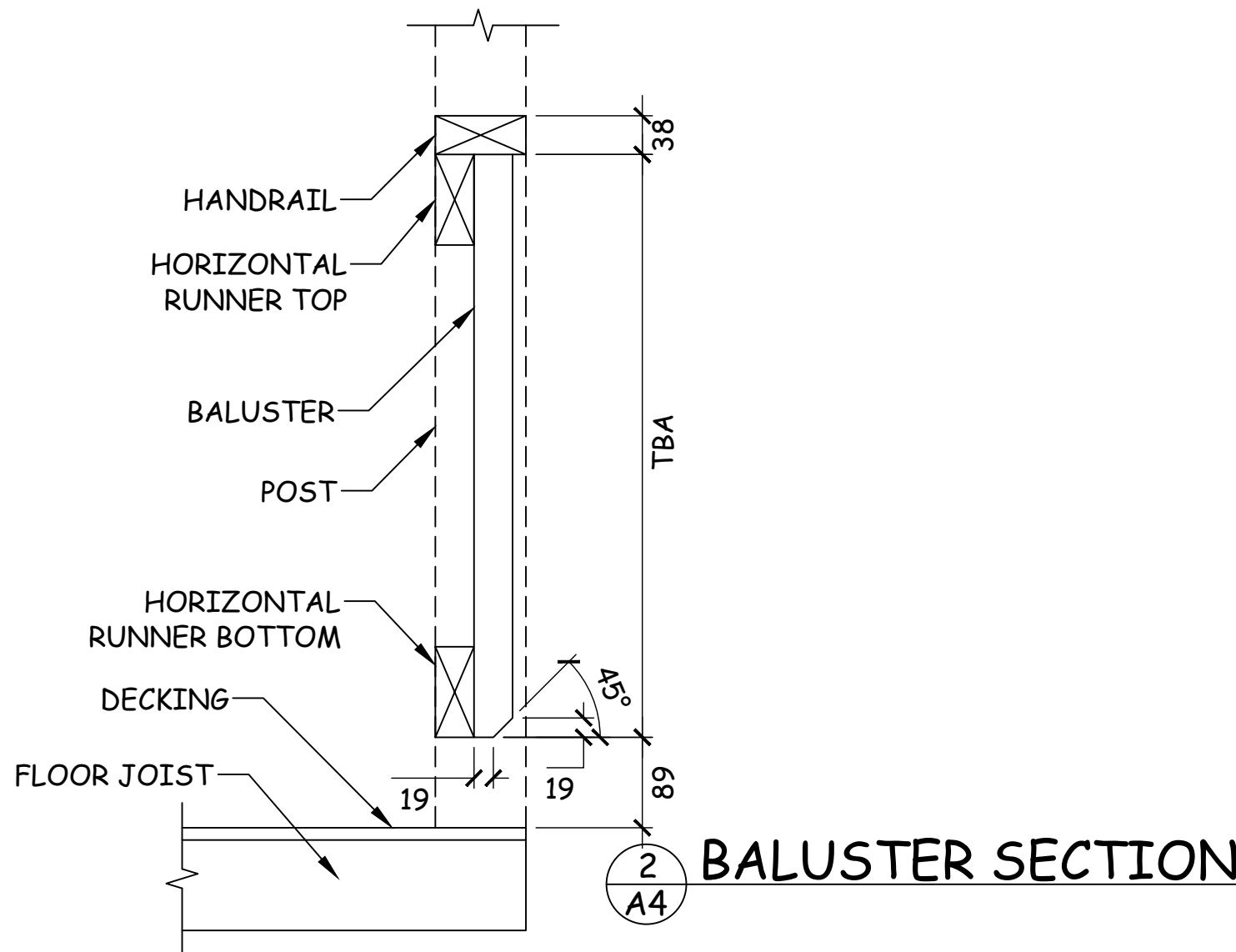
DRAWN BY: JACOB OBRIGEWITCH JACOB MAJAK Revised: T. Haag Feb.17/23	SHEET # <b>A7</b>
DATE: 3/30/2019	
SCALE: NOT TO SCALE	







1  
A4 FRONT RAILING PLAN



2  
A4 BALUSTER SECTION

**General Notes**  
FOR EDUCATIONAL  
PURPOSES ONLY

	Revised T Haag	02/17/23
	Revised: T. Haag	Apr.12/21
1	UPDATE	MAR.30
2	UPDATE	JAN.26
No.	Revision/Issue	DATE

**SKILLS  
CANADA**

PROVINCIAL  
POST-SECONDARY  
CARPENTRY

**DETAILS**

DRAWN BY: JACOB OBRIGEWITCH JACOB MAJAK Revised: T. Haag Feb.17/23	SHEET # <b>A9</b>
DATE: 3/30/2019	
SCALE: NOT TO SCALE	