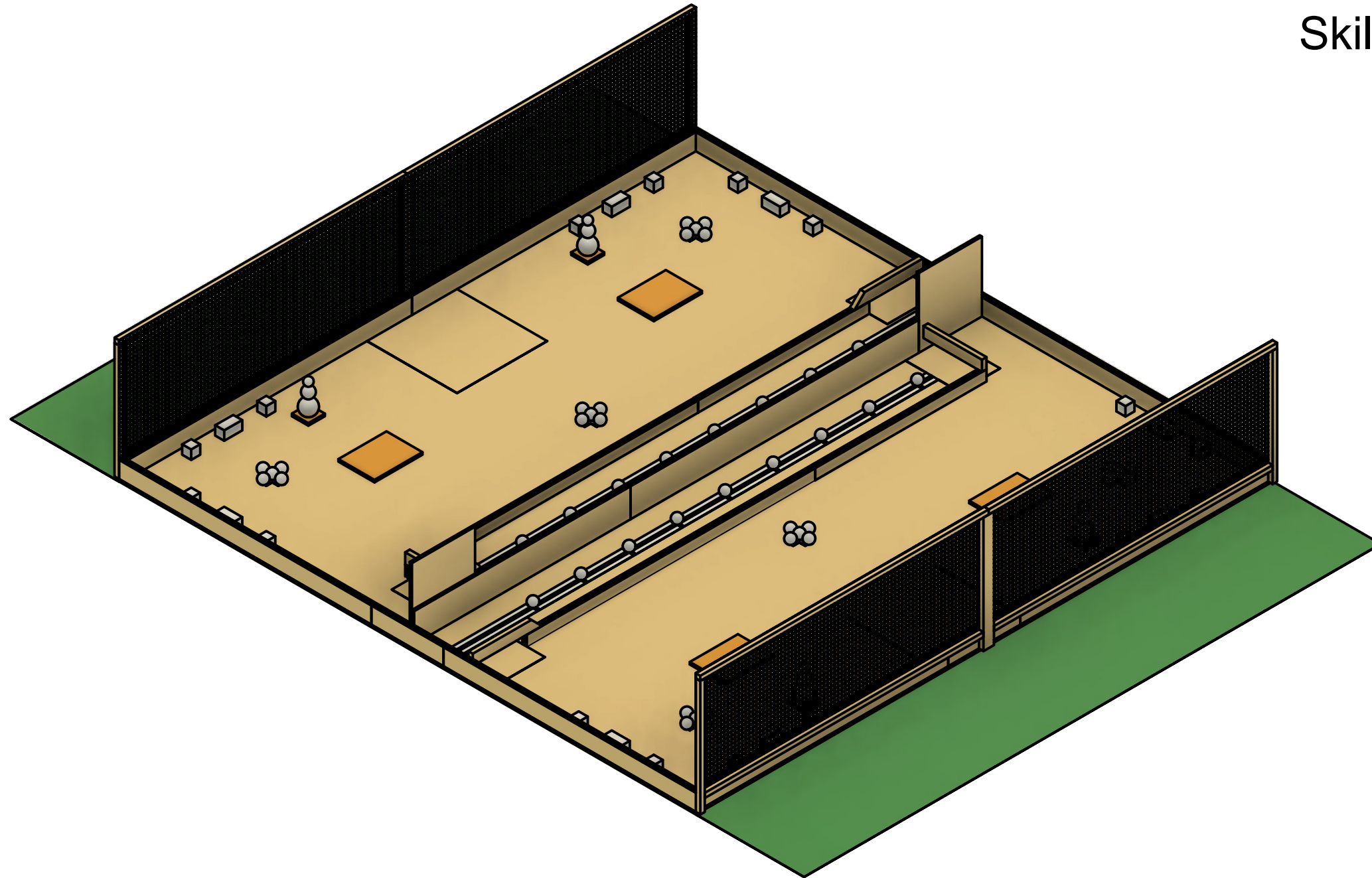
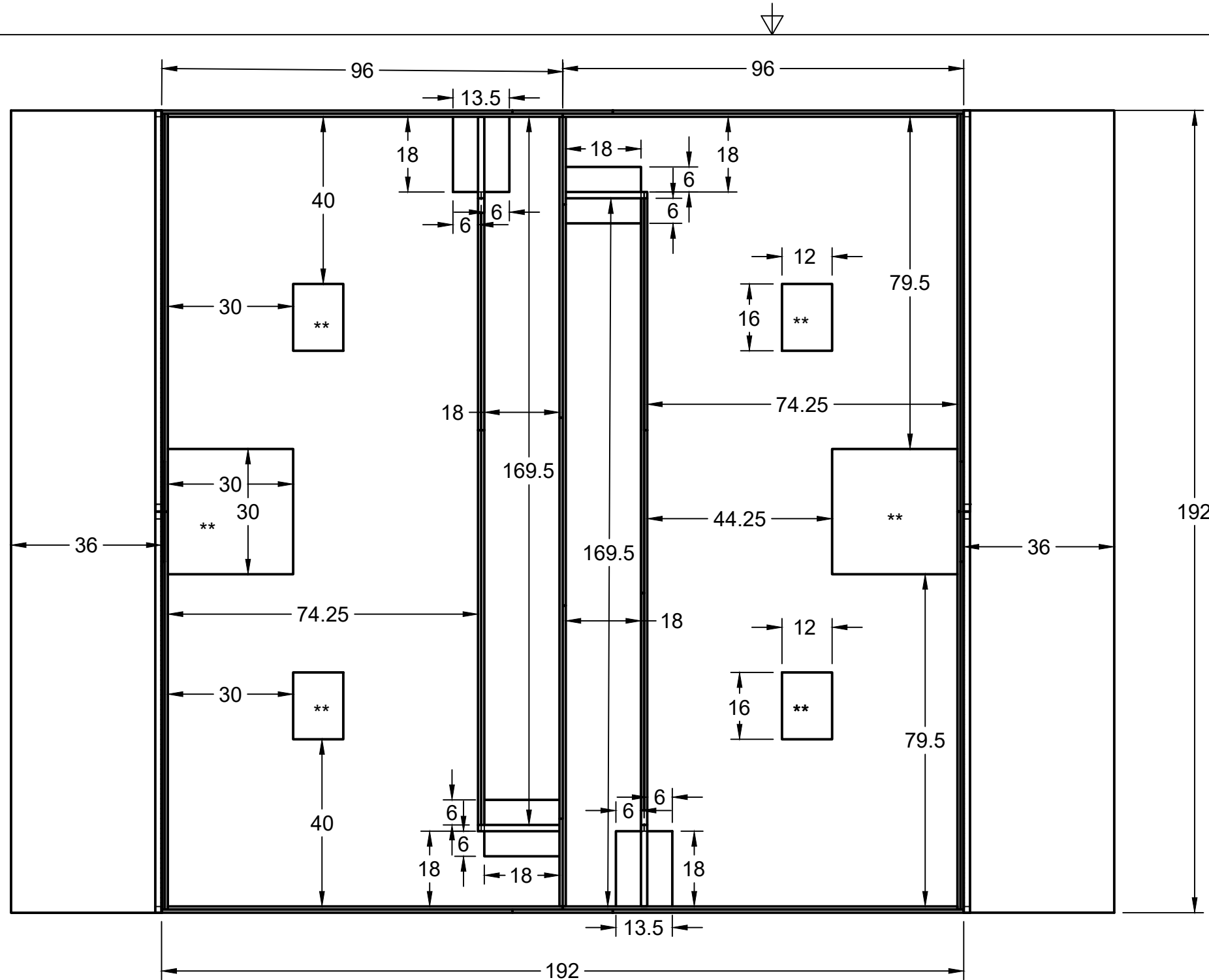


Skills British Columbia



All units in inches unless otherwise noted.

	PROJECT			SCNC 2025
	TITLE			2025 Tele-op Court
APPROVED	SIZE	CODE	DWG NO	REV
CHECKED	B			
DRAWN Dave Dalton 2024-07-22	SCALE 1:30	WEIGHT	SHEET 1/13	

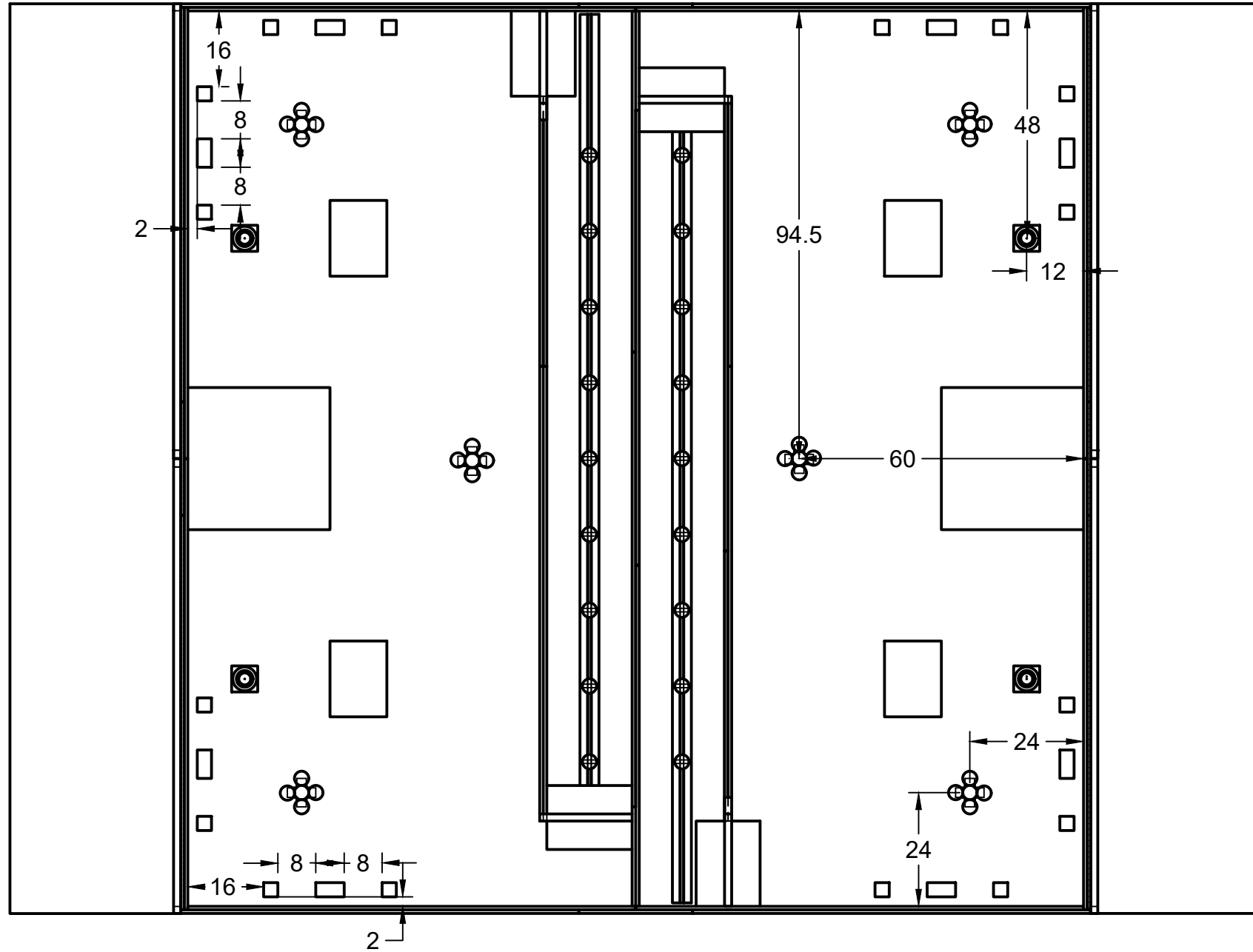


(Outside of court wall, inside back fence)

Note: Game components are not shown on this page for clarity of measurements of walls/floor components.

**Note: Snowfort platforms and starting zones are the same size on both sides of the court, and the same distance from the sides and back wall.

	PROJECT			
	SCNC 2025			
	TITLE			
	2025 Tele-op Court Wall and Floor Dimensions			
APPROVED	SIZE	CODE	DWG NO	REV
CHECKED	B			
DRAWN Dave Dalton 2024-07-22	SCALE 1:30	WEIGHT	SHEET 2/13	

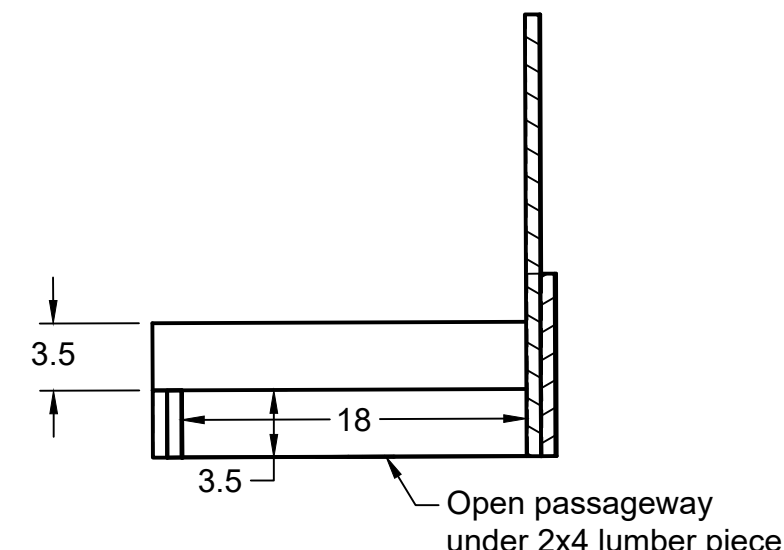
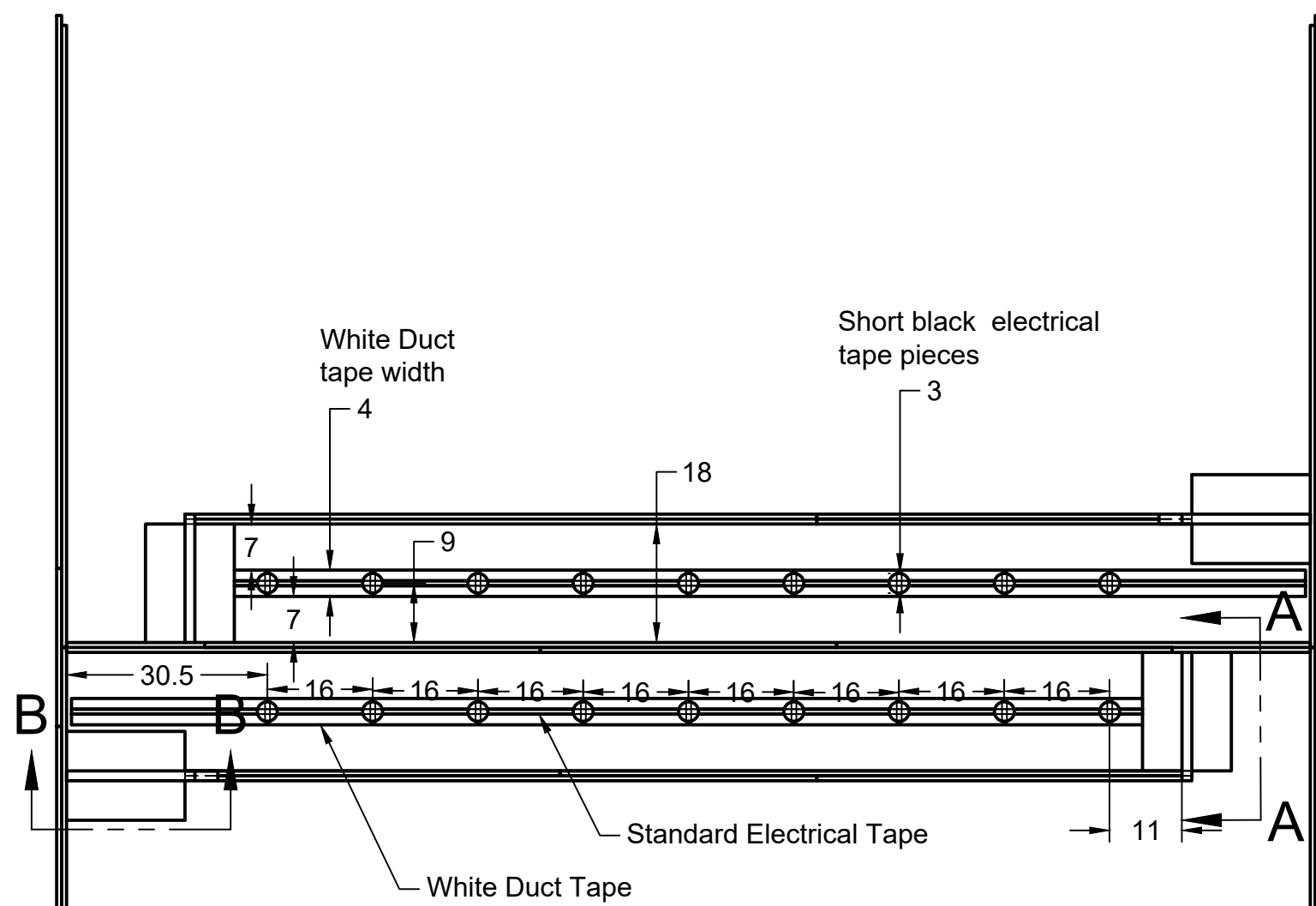


Note: Each corner has the same number of components, located the same distances from the side and back wall.

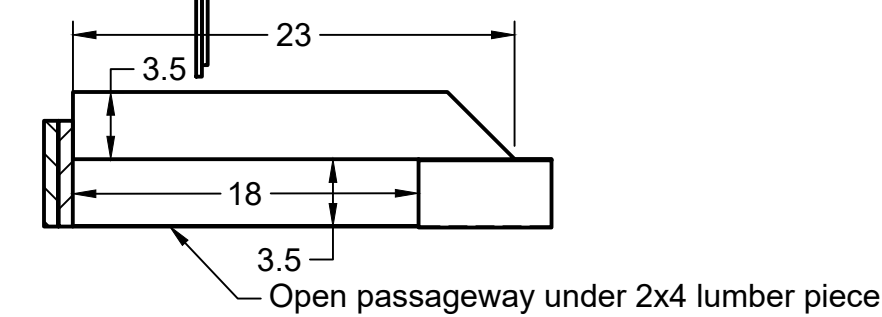
Note: Measurements to the Snowmen and the Snowball Starting Areas are to the center of them. More detail on specifics of those items are found later in this document.

Note: Autonomous Zone measurements are on the next sheet for clarity.

	PROJECT			REV
	SCNC 2025			
	TITLE			REV
	2025 Tele-op Court Game Component Locations			
APPROVED	SIZE	CODE	DWG NO	REV
CHECKED	B			
DRAWN Dave Dalton 2024-07-22	SCALE 1:30	WEIGHT	SHEET 3/13	

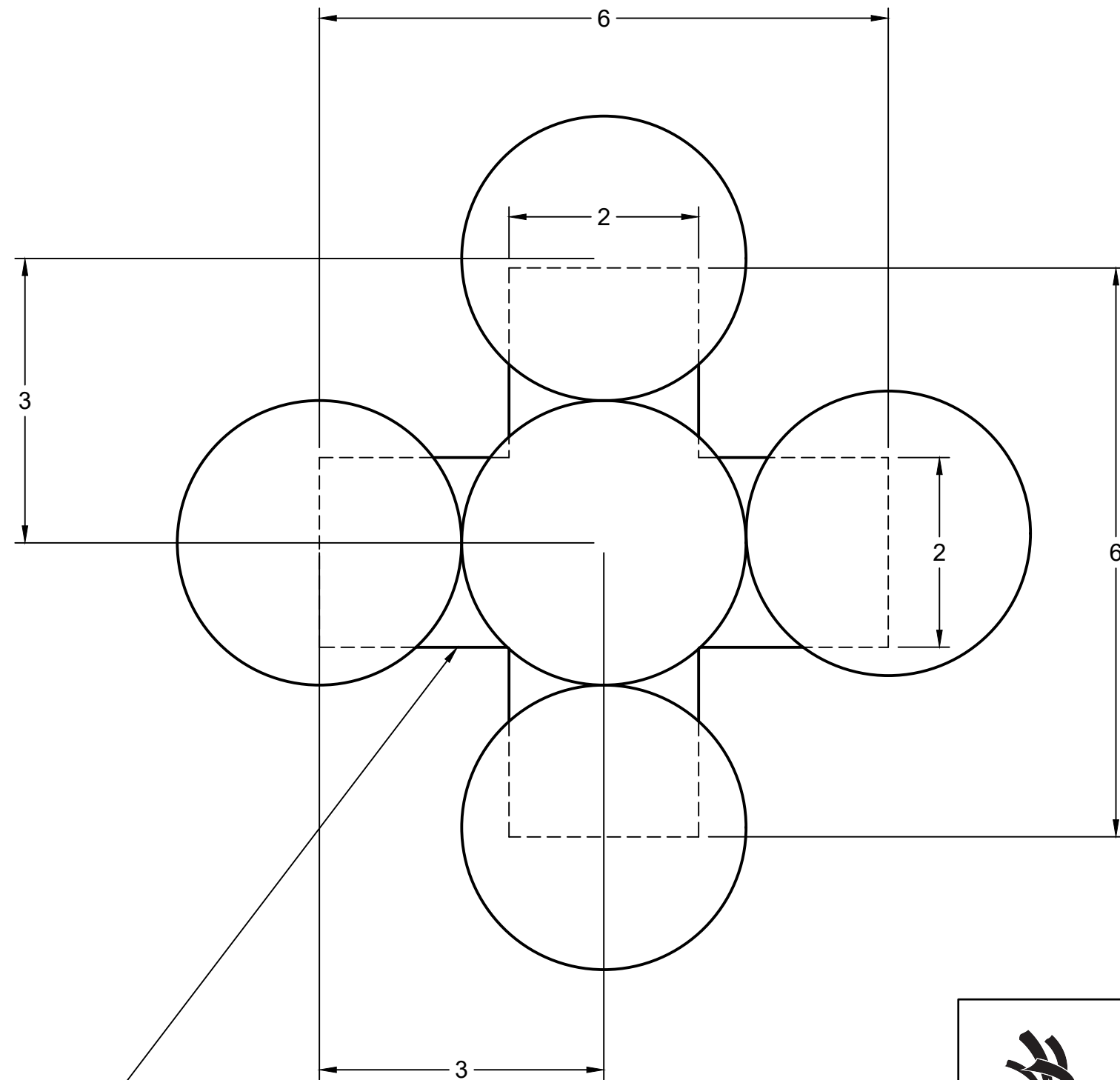


A: Delivery Zone Passageway 1



B: Delivery Zone Passageway 2

	PROJECT			SCNC 2025
	TITLE			2025 Tele-op Court Autonomous Zone
APPROVED	SIZE	CODE	DWG NO	REV
CHECKED	B			
DRAWN Dave Dalton 2024-07-22	SCALE 1:25	WEIGHT	SHEET 4/13	



Black Duct Tape

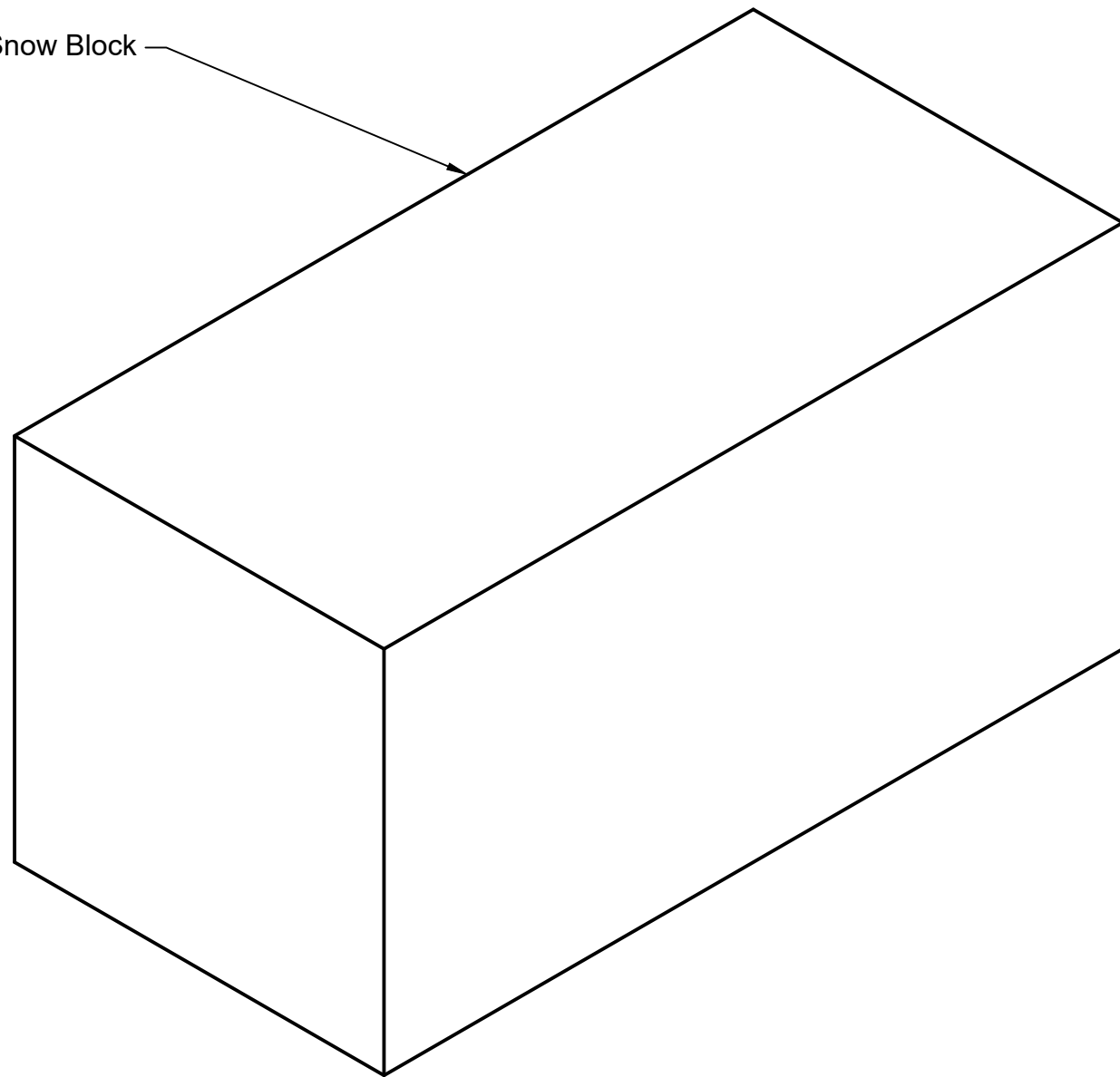
NOTE: Each of the "Snowball Starting Areas" are identical to these (3 areas per courts side, 6 in total)

NOTE: The tape pieces are perpendicular to the exterior court walls.

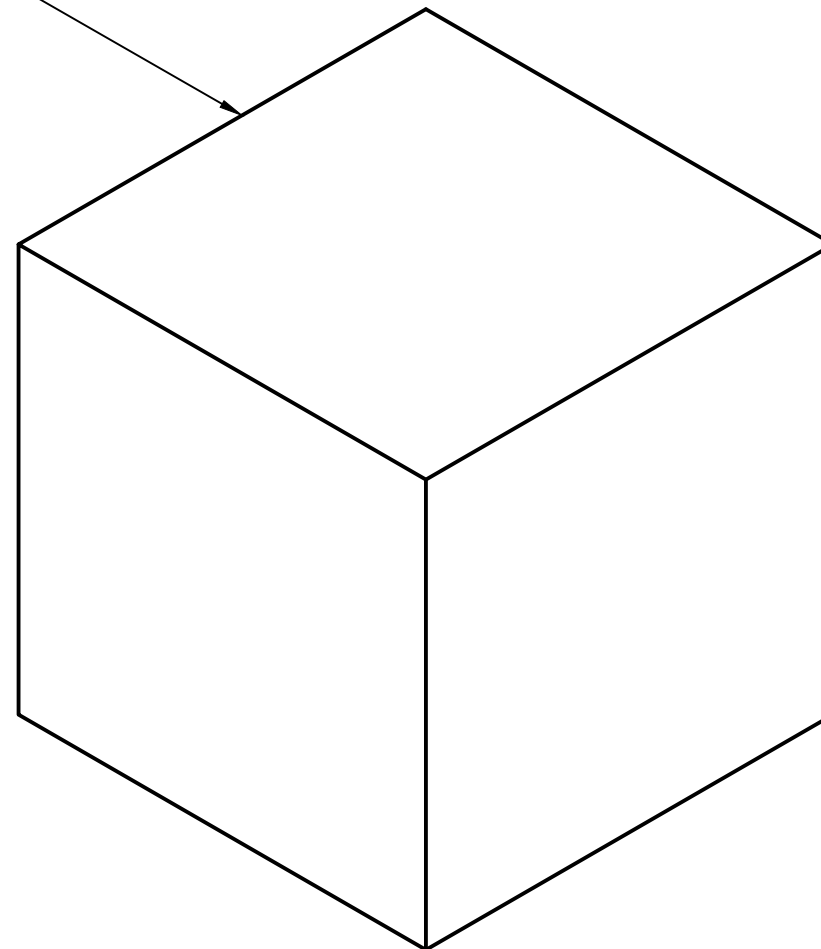
NOTE: The middle ball is located directly in the middle of the tape pieces, and the other balls are placed touching the middle ball.

	PROJECT			
	SCNC 2025			
	TITLE			
	2025 Tele-op Court Snowballs Starting Areas			
APPROVED	SIZE	CODE	DWG NO	REV
CHECKED	B			
DRAWN	Dave Dalton	2024-07-22	SCALE 1:10	WEIGHT
				SHEET 5/13

Large Snow Block



Small Snow Block




Notes:

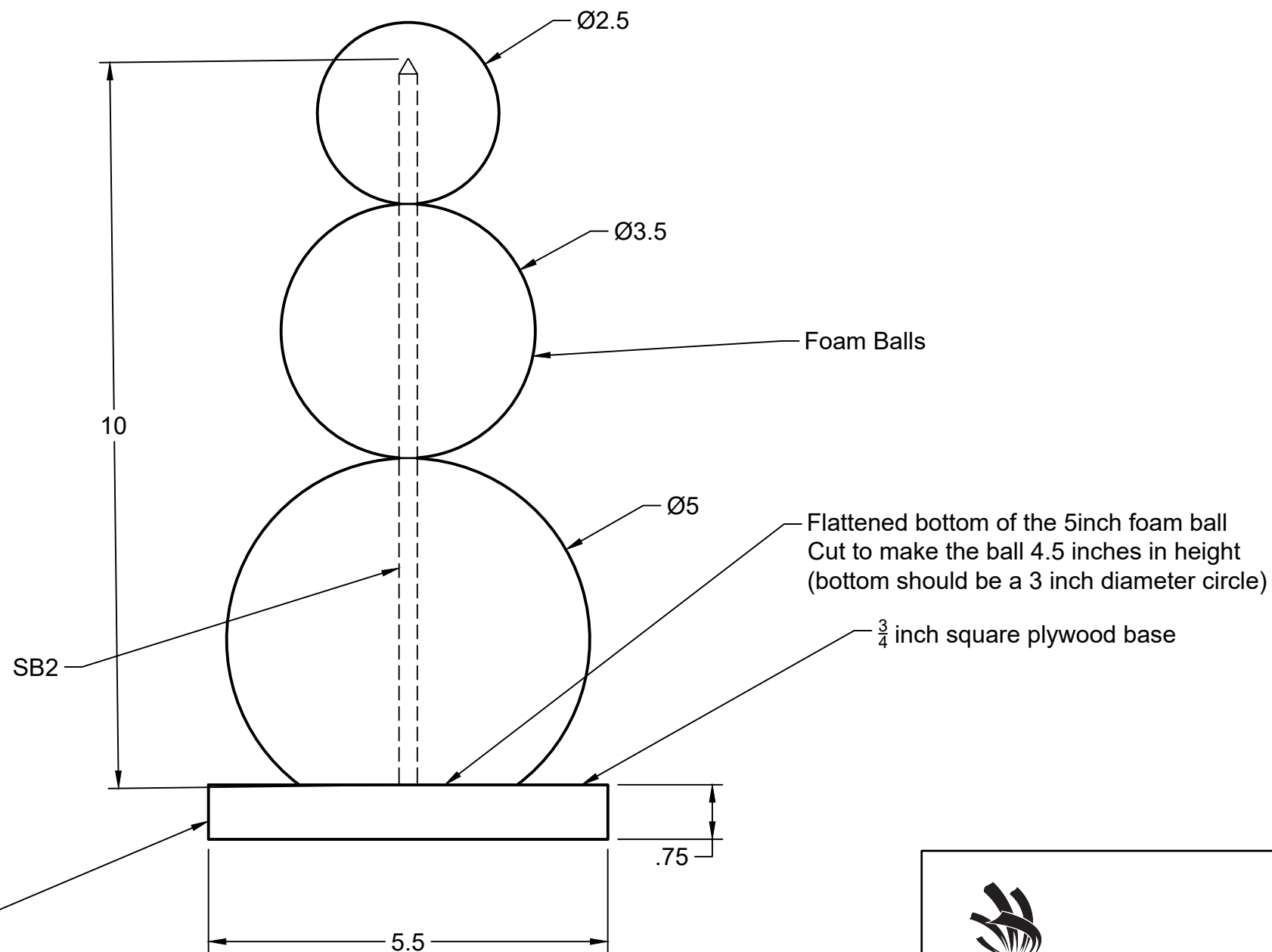
These snow blocks are constructed out of 2 layers of 1.5 inch thick rigid foam insulation (see materials list) glued together.

The dimensions are 3 inch x 3 inch x 3 inch and 3 inch x 3 inch x 6 inch.

There are a total of 8 small blocks and 4 large blocks per court side, for a total of 16 small blocks and 8 large blocks for the entire court setup.

Snow blocks will be covered in white duct tape such that:
Duct tape will be applied uniformly to each face of the block in a single layer.
Edges of the duct tape will be butted together and not overlap.
Duct tape that wraps around the edges will preserve the shape of the block.

	PROJECT			REV
	SCNC 2025			
TITLE		DWG NO		
2025 Tele-op Court		2025 Tele-op Court		
Snow Block Details		Snow Block Details		
APPROVED	SIZE	CODE	DWG NO	REV
CHECKED	B			
DRAWN Dave Dalton 2024-07-22	SCALE 1:2	WEIGHT	SHEET 6/13	



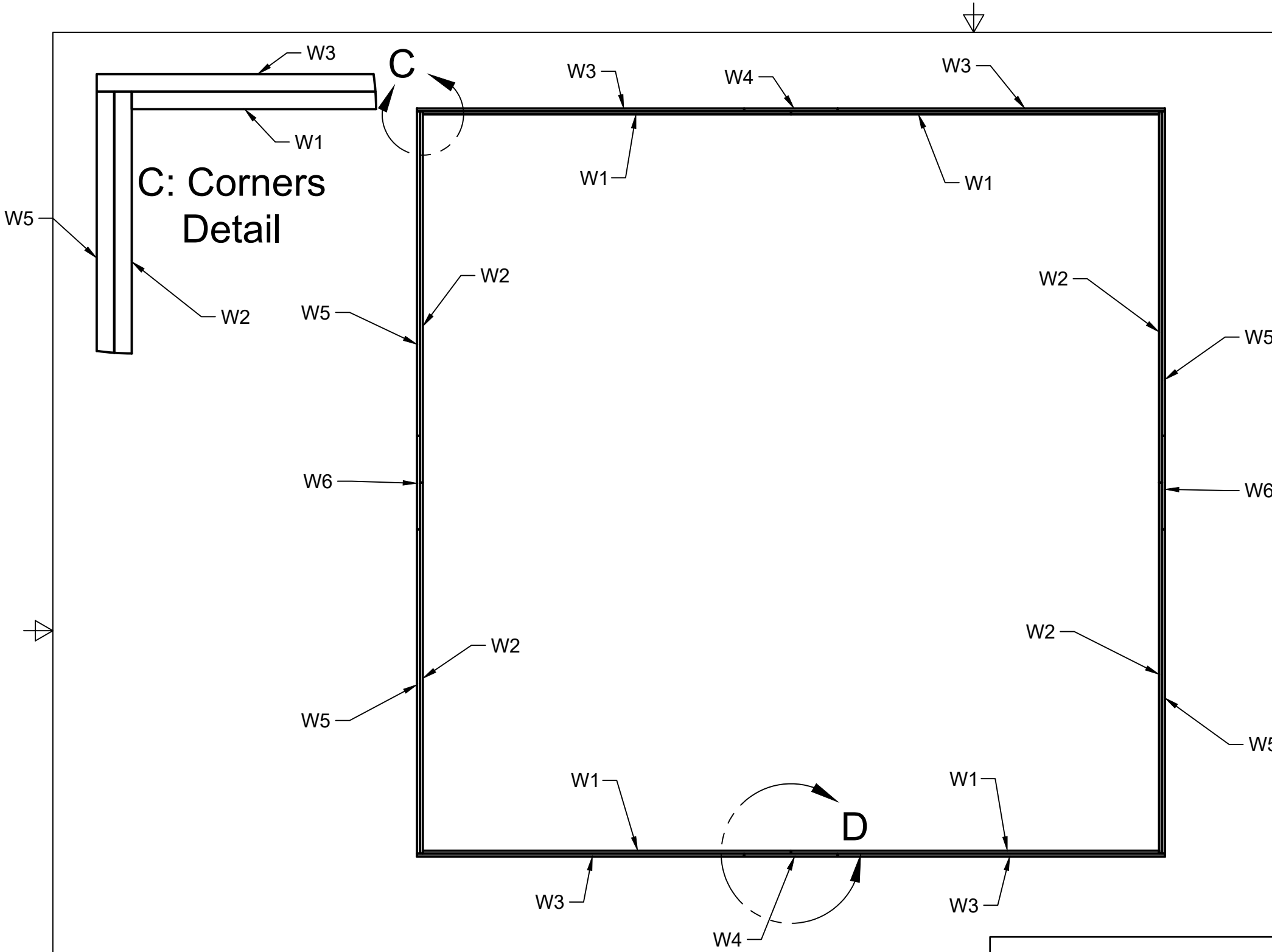
NOTE: Snowman is constructed of 3 foam balls with a $\frac{1}{4}$ inch dowel through the middle.

NOTE: The snowman IS NOT attached to the plywood base. It is sitting on the plywood base.

NOTE: Bottom of the 5 inch diameter ball is cut to a flattened side

Snowman Wood Pieces			
Label	Dimensions (inches)	Material	# pieces
SB1	5.5 x 5.5	$\frac{3}{4}$ inch plywood	1 per snowman, 4 per full court
SB2	10	$\frac{1}{4}$ inch dowel	1 per snowman, 4 per court

	PROJECT			REV
	SCNC 2025			
	TITLE			
	2025 Tele-op Court Snowman Details			
APPROVED	SIZE	CODE	DWG NO	
CHECKED	B			
DRAWN Dave Dalton 2024-07-22	SCALE 1:2	WEIGHT	SHEET 7/13	



C: Corners Detail

D: Mid-wall connections

Note: This is a diagram of only the exterior court walls.

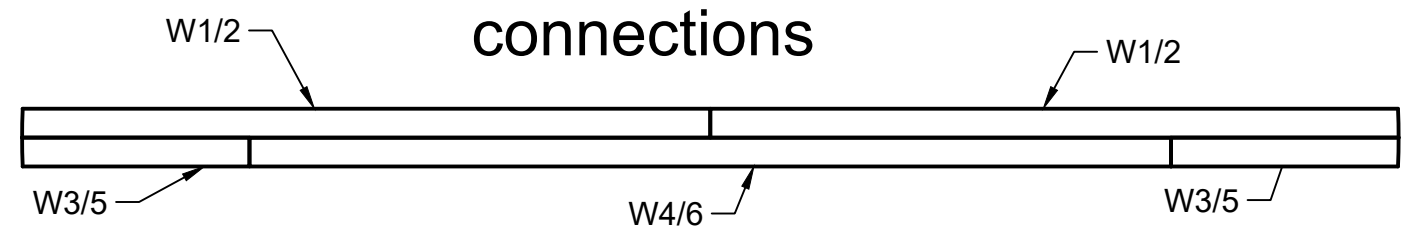
All pieces are made from $\frac{3}{4}$ inch plywood.

Walls are constructed by layering 2 plywood pieces thick, resulting in a 1.5 inch thick wall.

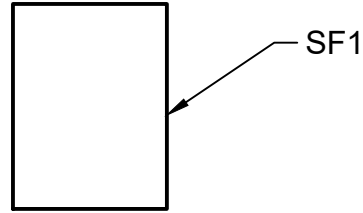
ALL WALLS ARE 5.5 INCHES IN HEIGHT, CUT FROM $\frac{3}{4}$ INCH PLYWOOD.

Exterior Court Wall Pieces		
Label	Length (inches)	# pieces
W1	94.5	4
W2	95.25	4
W3	84	4
W4	24	2
W5	83.25	4
W6	24	2

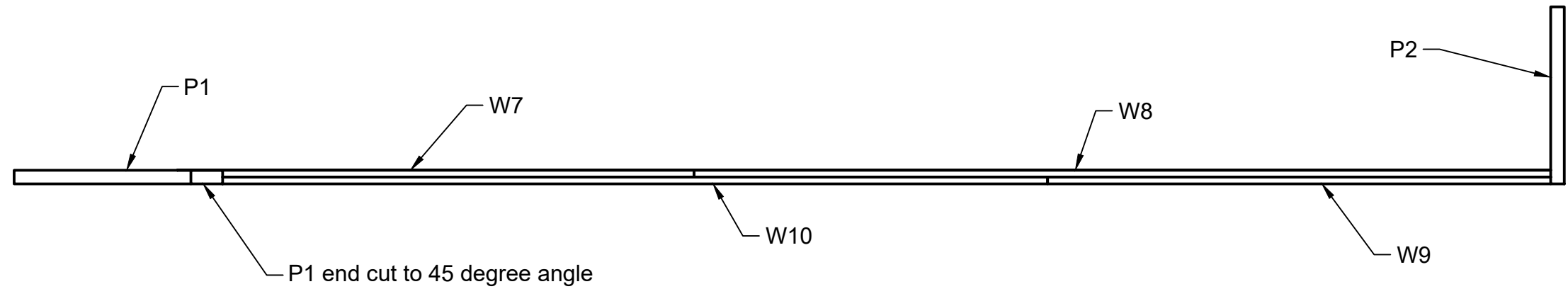
	PROJECT SCNC 2025		
	TITLE 2025 Tele-op Court Exterior Court Wall Labelling		
APPROVED	SIZE	CODE	DWG NO
CHECKED	B		
DRAWN Dave Dalton 2024-07-22	SCALE 1:25	WEIGHT	SHEET 8/13



Snowfort Build Platform



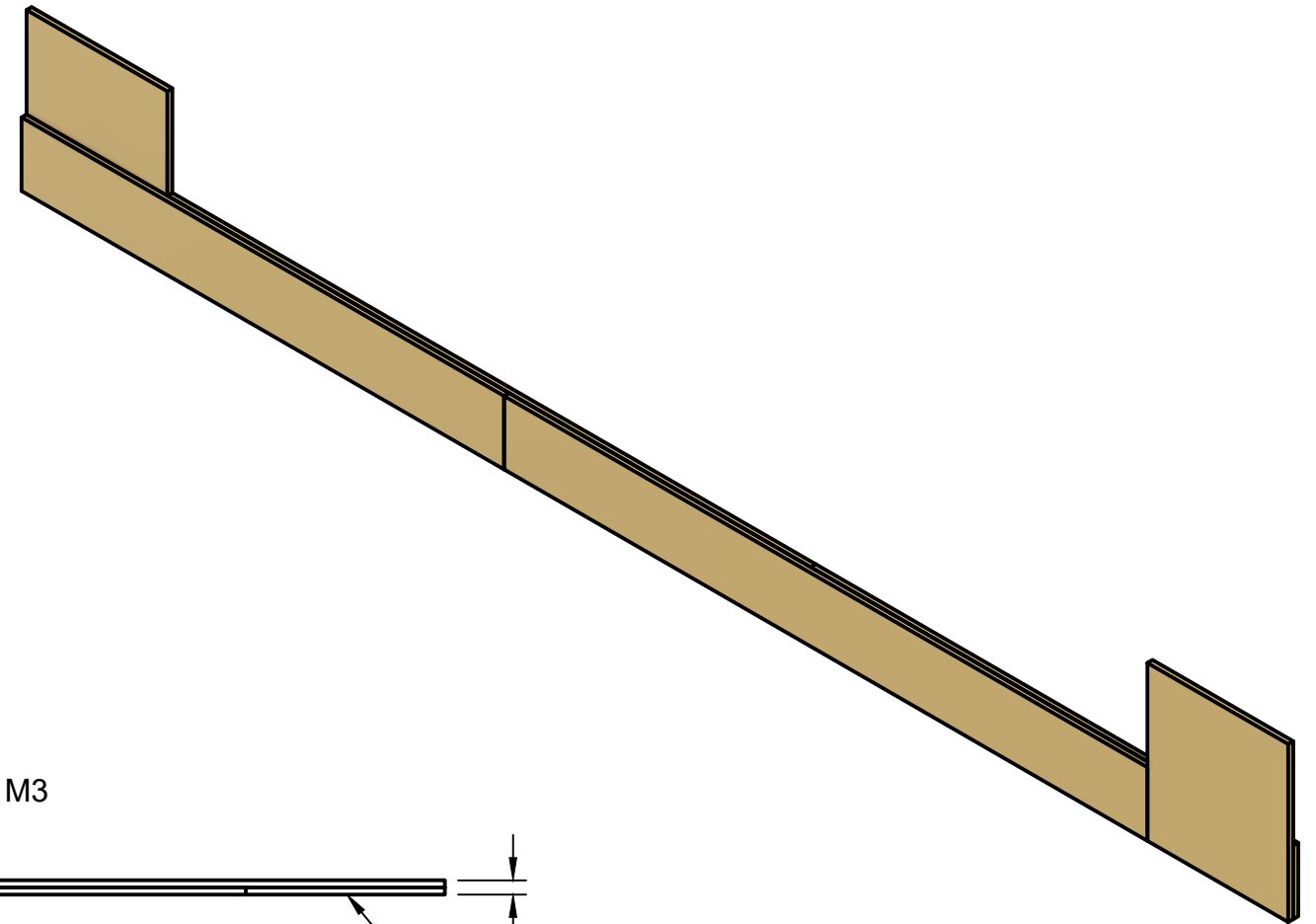
Autonomous Zone Barrier Wall



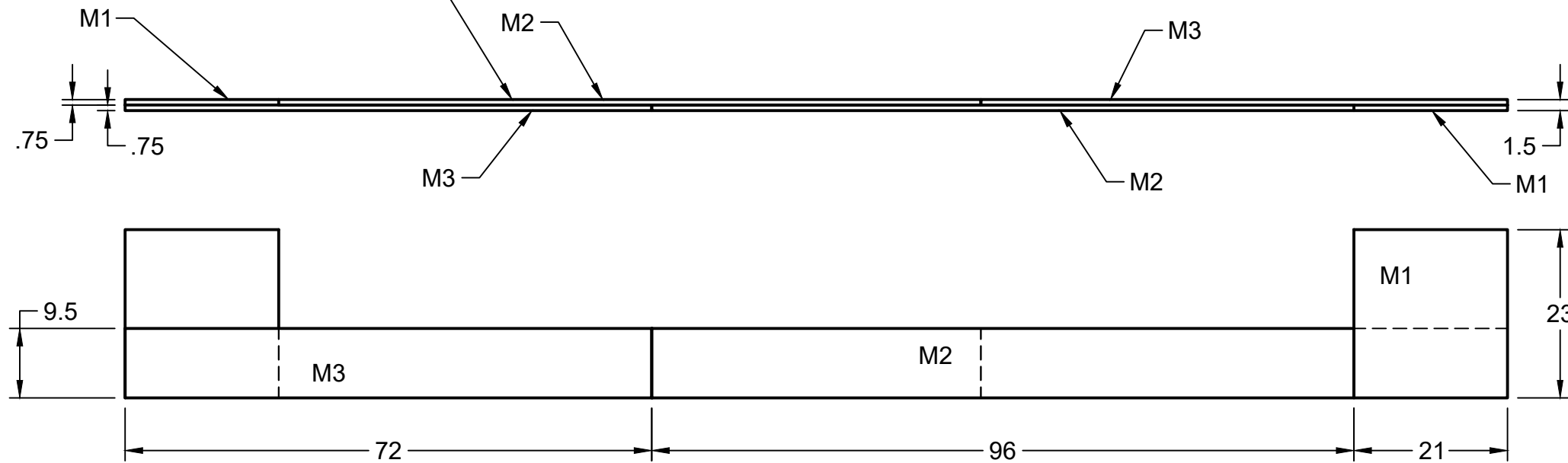
Inner Court Wood Pieces			
Label	Dimensions (inches)	Material	# pieces
SF1	12 x 16	$\frac{3}{4}$ inch plywood	4
W7	57 x 3.5	$\frac{3}{4}$ inch plywood	2
W8	96 x 3.5	$\frac{3}{4}$ inch plywood	2
W9	57 x 3.5	$\frac{3}{4}$ inch plywood	2
W10	96 x 3.5	$\frac{3}{4}$ inch plywood	2
P1	Length 23	2x4 lumber	2
P2	Length 19.5	2x4 lumber	2

	PROJECT		
	SCNC 2025		
	TITLE		
	2025 Tele-op Court Inner Court Wood Labelling Pieces Wood pieces (excluding middle wall)		
APPROVED	SIZE	CODE	DWG NO
CHECKED	B		
DRAWN Dave Dalton 2024-07-22	SCALE 1:30	WEIGHT	SHEET 9/13

Middle Wall Wood Pieces			
Label	Dimensions (inches)	Material	# pieces
M1	21 x 23	$\frac{3}{4}$ inch plywood	2
M2	96 x 9.5	$\frac{3}{4}$ inch plywood	2
M3	72 x 9.5	$\frac{3}{4}$ inch plywood	2



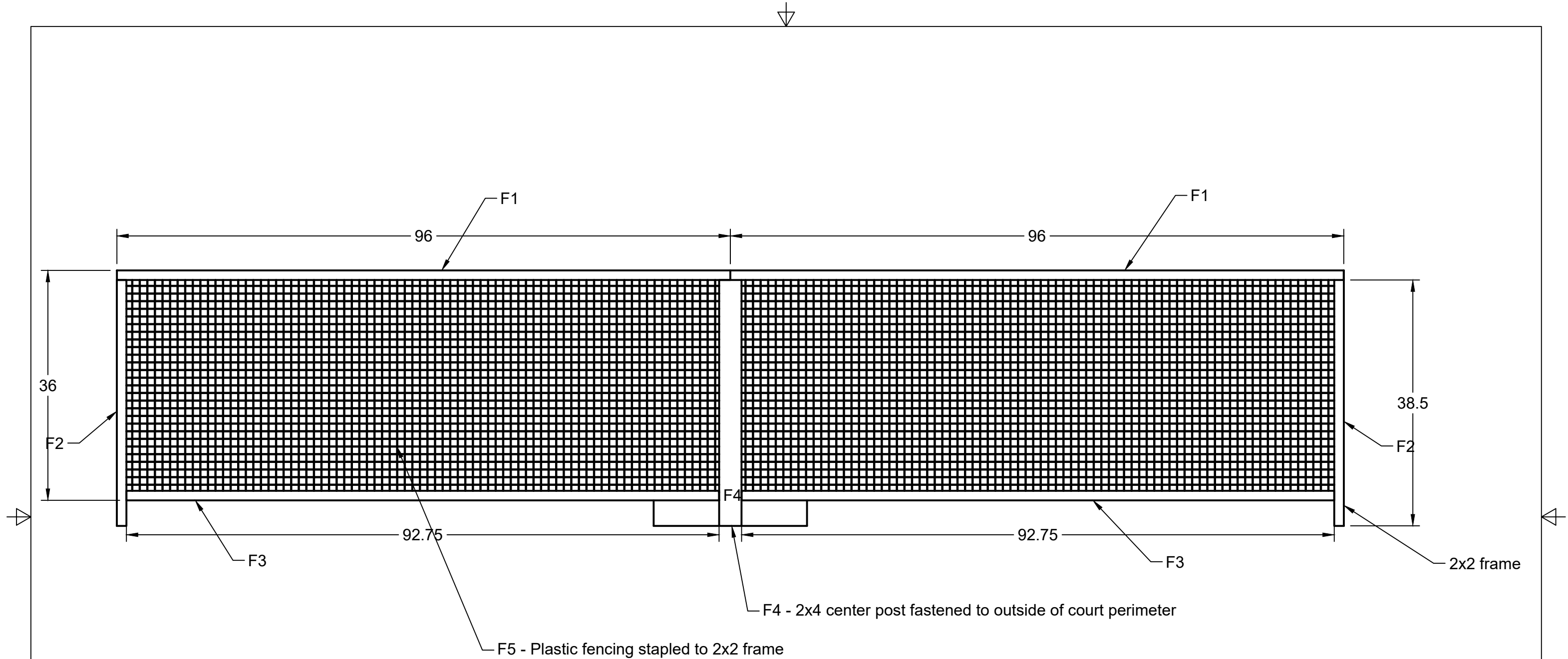
Top View



NOTE: This middle wall is constructed using 6 pieces of $\frac{3}{4}$ inch plywood, using a pattern of 3 pieces copied and rotated 180 degrees.

Details on the piece sizes located on the cut sheet.

	PROJECT			SCNC 2025
	TITLE			2025 Tele-op Court Middle Wall
APPROVED	SIZE	CODE	DWG NO	REV
CHECKED	B			
DRAWN Dave Dalton 2024-07-22	SCALE 1:25	WEIGHT	SHEET 10/13	



Back Fence Pieces			
Label	Dimensions (inches)	Material	# pieces
F1	Length 96	2x2 Lumber	2 per fence, 4 total
F2	Length 38.5	2x2 Lumber	2 per fence, 4 total
F3	Length 92.75	2x2 Lumber	2 per fence, 4 total
F4	Length 38.5	2x4 Lumber	1 per fence, 2 total
F5	192 x 36	Plastic Fence (see materials list for specific product)	1 per fence, 2 total

	PROJECT			REV
	SCNC 2025			
	TITLE			
	2025 Tele-op Court Snowfence Details			
APPROVED	SIZE	CODE	DWG NO	
CHECKED	B			
DRAWN	Dave Dalton	2024-07-22	SCALE 1:20	WEIGHT
			SHEET 11/13	

Exterior Court Wall Pieces ($\frac{3}{4}$ inch plywood, 5.5 inches height)		
Label	Length (inches)	# pieces
W1	94.5	4
W2	95.25	4
W3	84.5	4
W4	23	2
W5	83.75	4
W6	23	2

Middle Wall Wood Pieces			
Label	Dimensions (inches)	Material	# pieces
M1	21 x 23	$\frac{3}{4}$ inch plywood	2
M2	96 x 9.5	$\frac{3}{4}$ inch plywood	2
M3	72 x 9.5	$\frac{3}{4}$ inch plywood	2

Inner Court Wood Pieces			
Label	Dimensions (inches)	Material	# pieces
SF1	12 x 16	$\frac{3}{4}$ inch plywood	4
W7	57 x 3.5	$\frac{3}{4}$ inch plywood	2
W8	96 x 3.5	$\frac{3}{4}$ inch plywood	2
W9	57 x 3.5	$\frac{3}{4}$ inch plywood	2
W10	96 x 3.5	$\frac{3}{4}$ inch plywood	2
P1	Length 23	2x4 lumber	2
P2	Length 19.5	2x4 lumber	2

Back Fence Pieces			
Label	Dimensions (inches)	Material	# pieces
F1	Length 96	2x2 Lumber	2 per fence, 4 total
F2	Length 38.5	2x2 Lumber	2 per fence, 4 total
F3	Length 92.75	2x2 Lumber	2 per fence, 4 total
F4	Length 38.5	2x4 Lumber	1 per fence, 2 total
F5	192 x 36	Plastic Fence (see materials list for specific product)	1 per fence, 2 total

Snowman Wood Pieces			
Label	Dimensions (inches)	Material	# pieces
SB1	5.5 x 5.5	$\frac{3}{4}$ inch plywood	1 per snowman, 4 per full court
SB2	10	$\frac{1}{4}$ inch dowel	1 per snowman, 4 per court

	PROJECT			SCNC 2025
	TITLE			2025 Tele-op Court Labelled Wood Cut List
	SUMMARY LIST			
APPROVED	SIZE	CODE	DWG NO	REV
CHECKED	B			
DRAWN Dave Dalton 2024-07-22	SCALE	WEIGHT	SHEET 12/13	

Suggested Plywood Layout

Sheet 1

	W1 (5.5" x 94.5")
	W1
	W1
	W1
	W2 (5.5" x 95.25")
	W2
	W2
	W2

Sheet 2

	SB1	5.5"x	W3 (5.5" x 84.5")
	SB1	5.5"	W3
			W3
			W3
			W5 (5.5" x 83.75")
			W5
			W5
			W5

Sheet 3

M2 (9.5" x 96")			
M2			
M1 (21"x23")	M3 (9.5" x 72")		
	M3		
W4 (5.5"x23")	W4	W6 (5.5"x23")	W6

Sheet 4

M1 (21"x23")	SF1 (12"x16")	SF1	SF1	SF1
		W7 X 2 (3.5" x 57)		
		W9 X 2 (3.5" x 57)		
W8 X 2 (3.5" x 96")				
W10 X 2 (3.5" x 96")				

Notes:

- These layouts include the pieces for the reusable court perimeter (W1-W6)
- Layouts are illustrative and not to scale.